

PARTS LIST

CAUTION

- The parts identified by the \triangle symbol are important for the safety. Whenever replacing these parts, be sure to use specified ones to secure the safety.
- The parts not indicated in this Parts List and those which are filled with lines — in the Parts No. columns will not be supplied.
- P. W. Board Ass'y will not be supplied, but those which are filled with the Parts No. in the Parts No. columns will be supplied.

ABBREVIATIONS OF RESISTORS, CAPACITORS AND TOLERANCES

RESISTORS		CAPACITORS	
C R	Carbon Resistor	C CAP.	Ceramic Capacitor
F R	Fusible Resistor	E CAP.	Electrolytic Capacitor
P R	Plate Resistor	M CAP.	Mylar Capacitor
V R	Variable Resistor	HV CAP.	High Voltage Capacitor
HV R	High Voltage Resistor	MF CAP.	Metalized Film Capacitor
MF R	Metal Film Resistor	MM CAP.	Metalized Mylar Capacitor
MG R	Metal Glazed Resistor	MP CAP.	Metalized Polystyrol Capacitor
MP R	Metal Plate Resistor	PP CAP.	Polypropylene Capacitor
OM R	Metal Oxide Film Resistor	PS CAP.	Polystyrol Capacitor
CMF R	Coating Metal Film Resistor	TF CAP.	Thin Film Capacitor
UNF R	Non-Flammable Resistor	MPP CAP.	Metalized Polypropylene Capacitor
CH V R	Chip Variable Resistor	TAN. CAP.	Tantalum Capacitor
CH MG R	Chip Metal Glazed Resistor	CH C CAP.	Chip Ceramic Capacitor
COMP. R	Composition Resistor	BP E CAP.	Bi-Polar Electrolytic Capacitor
LPTC R	Linear Positive Temperature Coefficient Resistor	CH AL E CAP.	Chip Aluminum Electrolytic Capacitor
		CH AL BP CAP.	Chip Aluminum Bi-Polar Capacitor
		CH TAN. E CAP.	Chip Tantalum Electrolytic Capacitor
		CH AL BP E CAP.	Chip Tantalum Bi-Polar Electrolytic Capacitor

TOLERANCES									
F	G	J	K	M	N	R	H	Z	P
±1%	±2%	±5%	±10%	±20%	±30%	+30% -10%	+50% -10%	+80% -20%	+100% -0%

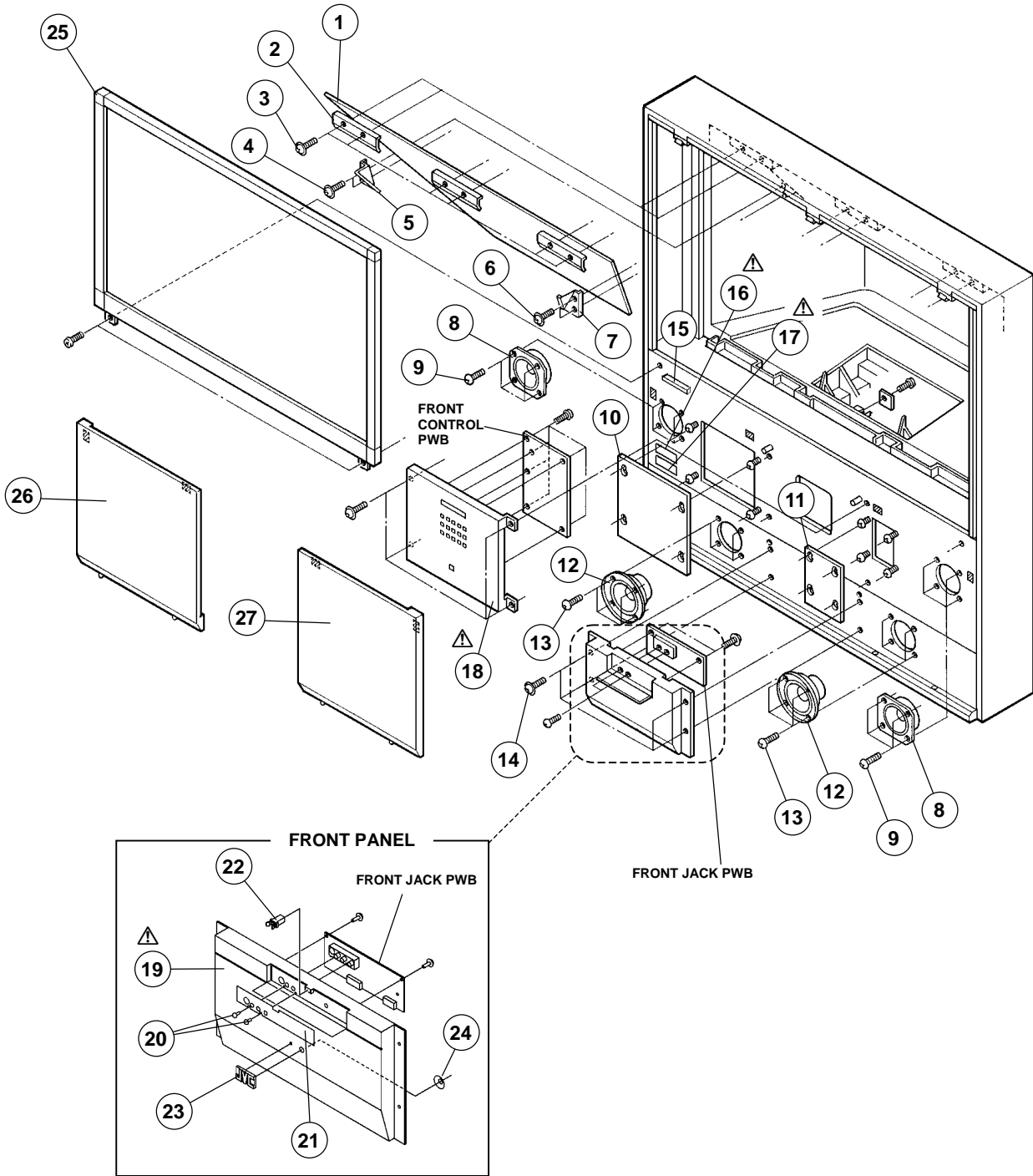
CONTENTS

- USING PW BOARD & REMOTE CONTROL UNIT 3-1
- EXPLODED VIEW PARTS LIST 3-4, 3-6, 3-7, 3-8
- EXPLODED VIEW 3-5, 3-6, 3-7, 3-8
- PRINTED WIRING BOARD PARTS LIST
 - MAIN PW BOARD ASS'Y 3-9
 - MAIN DRIVE PW BOARD ASS'Y 3-11
 - SUB DRIVE MODULE PW BOARD ASS'Y 3-11
 - LED PW BOARD ASS'Y 3-12
 - FRONT JACK PW BOARD ASS'Y 3-12
 - FRONT CONTROL PW BOARD ASS'Y 3-12
 - DIGITAL INPUT MODULE PW BOARD ASS'Y 3-13
 - POWER PW BOARD ASS'Y 3-13
 - LINE FILTER PW BOARD ASS'Y 3-17
 - SURROUND MODULE PW BOARD ASS'Y 3-18
 - I-P CONVERT. PW BOARD ASS'Y 3-18
 - COMPONENT INPUT PW BOARD ASS'Y 3-18
 - REAR JACK PW BOARD ASS'Y 3-19
 - RECEIVER PW BOARD ASS'Y 3-19
 - AV SELECTOR PW BOARD ASS'Y 3-21
 - 3D YC SEP. MODULE PW BOARD ASS'Y 3-23
 - RGB PROCESS MODULE PW BOARD ASS'Y 3-24
 - SUB COLOR DEMOD. MODULE PW BOARD ASS'Y 3-24
 - REMO-CON SENSOR PW BOARD ASS'Y 3-24
 - IGNITER PW BOARD ASS'Y 3-24
- REMOTE CONTROL UNIT PARTS LIST 3-25
- PACKING 3-25
- PACKING PARTS LIST 3-26

USING PW BOARD & REMOTE CONTROL UNIT

△	Parts name	Part number	Service method
	MAIN PWB ASS'Y	SPD-1002A	Replace parts
	MAIN DRIVE PWB ASS'Y	SPD-1101A	Replace (module)
	SUB DRIVE MODULE	SPD-3001A	Replace (module)
	LED PWB ASS'Y	SPD-7001A	Replace parts
	FRONT JACK PWB ASS'Y	SPD-7101A	Replace parts
	FRONT CONTROL PWB ASS'Y	SPD-7202A	Replace parts
	DIGITAL INPUT MODULE	SPD-7801A	Replace (module)
	POWER PWB ASS'Y	SPD-9001A	Replace parts
	LINE FILTER PWB ASS'Y	SPD-9102A	Replace parts
	SURROUND MODULE	SPD-0A001A	Replace (module)
	I-P CONVERT. PWB ASS'Y	SPD-0D001A	Replace (module)
	COMPONENT INPUT PWB ASS'Y	SPD-0J002A	Replace parts
	REAR JACK PWB ASS'Y	SPD-0J101A	Replace parts
	RECEIVER PWB ASS'Y	SPD-0R002A	Replace parts
	AV SELECTOR PWB ASS'Y	SPD-0R101A	Replace parts
	3D YC SEP. MODULE (Within AV SELECTOR PWB)	SHI-0Y021A	Replace (module)
	RGB PROCESS MODULE	SPD-0V002A	Replace (module)
	SUB COLOR DEMOD. MODULE	SHJ-0V131A	Replace (module)
	REMO-CON SENSOR PWB ASS'Y	SXP-7301A	Replace parts
	IGNITER PWB ASS'Y	SXP-9201A	Replace parts
	REMOTE CONTROL UNIT	RM-C308-1A	

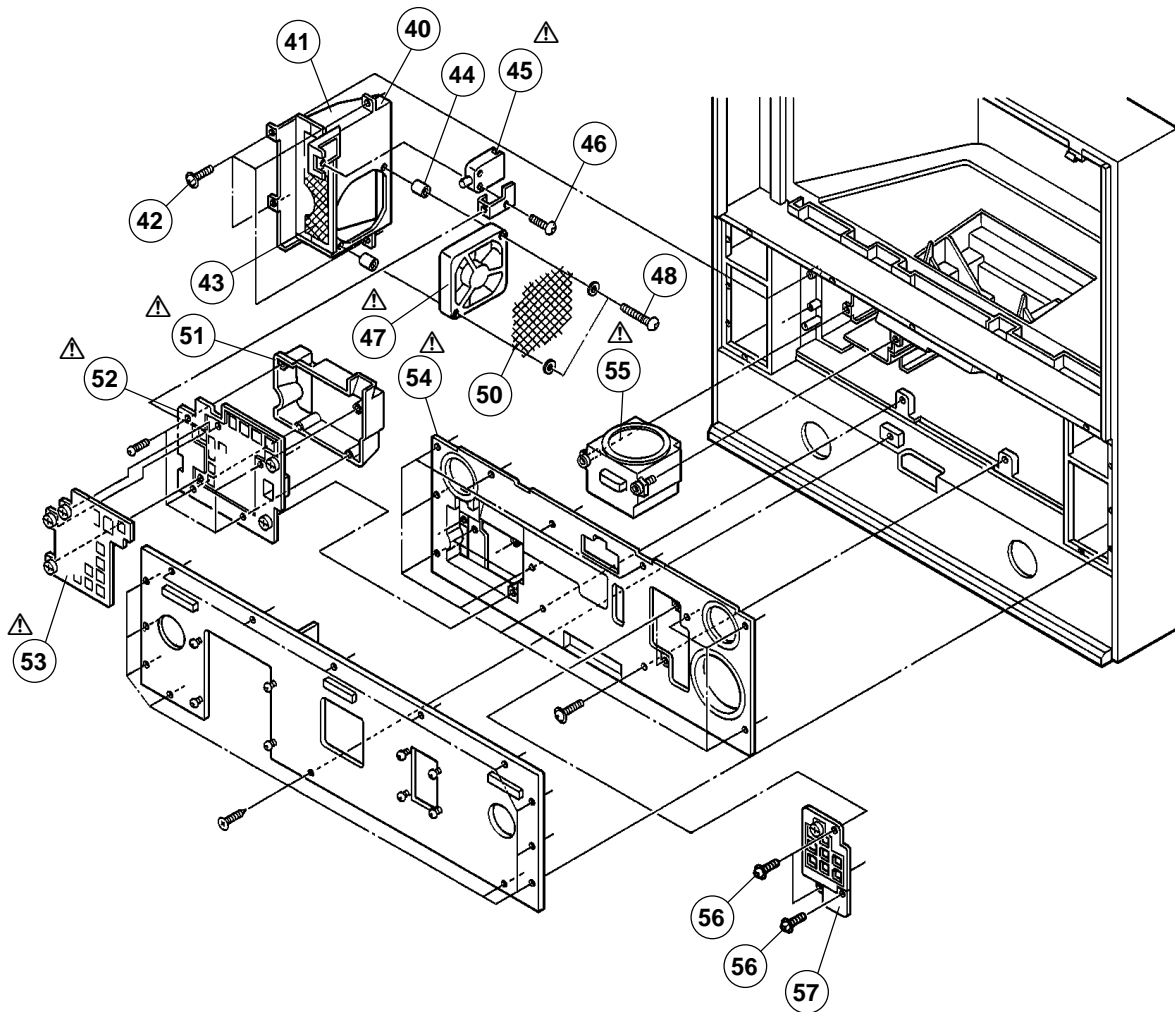
EXPLODED VIEW (I)



EXPLODED VIEW PARTS LIST (I)

△ Ref No.	Part No.	Part Name	Description
1	LC30719-001A	MIRROR	
2	LC30716-001A	MIR HOLDER TOP	(×3)
3	QYSBSFG4016M	TAPPING SCREW	(×6)
4	QYSBSFG4016M	TAPPING SCREW	(×2)For MIR HOLDER L
5	LC30718-001B	MIR HOLDER L	
6	QYSBSFG4016M	TAPPING SCREW	(×2)For MIR HOLDER R
7	LC30717-001B	MIR HOLDER R	
8	QAS0007-002	SPEAKER	(×2)SP03-04
9	QYSDSA4015Z	SCREW	(×4)For SPEAKER
△ 10	LC30894-001B	SVC COVER LEFT	
△ 11	LC30894-002A	SVC COVER RIGHT	
12	QAS0049-001	SPEAKER	(×2)SP01-02
13	QYSDSA4015Z	SCREW	(×8)For SPEAKER
14	QYSBSAG4018M	TAPPING SCREW	(×4)For PANEL ASSY
△ 15	LC41054-001A	CAUTION SHEET	
△ 16	LC40821-002A	FILTER WARNING	
△ 17	LC40746-002A	LAMP CAUTION	
△ 18	LC10786-001A	GRILLE	
△ 19	LC31096-001C	PANEL ASSY	
20	QYSBSB3012M	TAPPING SCREW	(×2)
21	LC30898-001B	OPERATION SHEET	
22	CM48229-00A-C	DOOR LATCH	
23	CM47752-004	BRAND MARK	
24	QYNSS3000P	PUSH NUT	
25	LC30891-001C	SCREEN PANEL T	
26	LC10652-001A	SPEAKER GRILL L	
27	LC10652-002A	SPEAKER GRILL R	

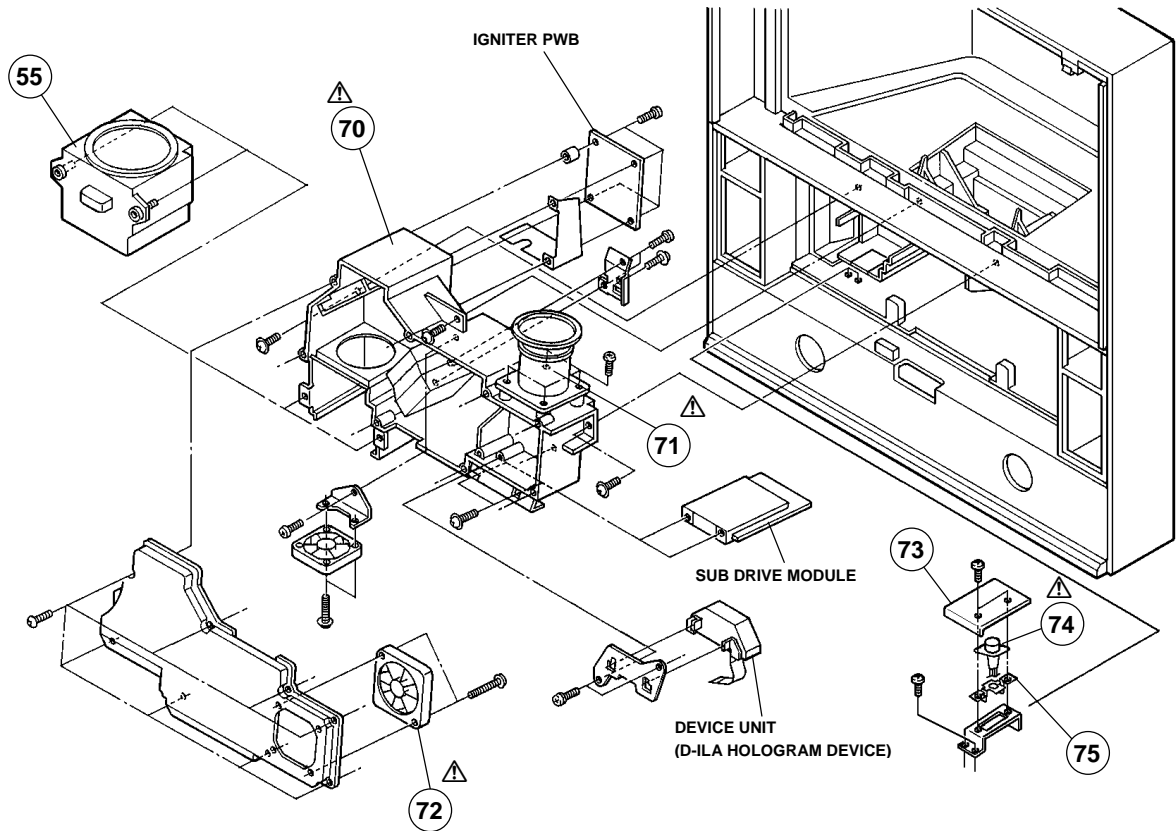
EXPLODED VIEW (II)



EXPLODED VIEW PARTS LIST (II)

△ Ref No.	Part No.	Part Name	Description
40	LC20342-001A	AIR DUCT B	
41	LC20341-001B	AIR DUCT A	
42	QYSBSF3012M	TAPPING SCREW	(× 4)
43	LC40579-001A	DUCT NET	
44	LC40593-001A	FAN BUSH	
△ 45	QSW0700-002	PUSH SWITCH	
46	QYSBSFG4020M	TAPPING SCREW	For PUSH SWITCH
△ 47	QAR0135-001	FAN MOTOR	
48	QYSDSP4040M	SCREW	(× 2)
50	LC40578-001A	FAN NET	
△ 51	LC10632-001E	LAMP DOOR BASE	
△ 52	LC10633-001E	LAMP DOOR COVER	
△ 53	LC31061-001C	FILTER	
△ 54	LC10499-002C	FRONT COVER	
△ 55	PK-CL200U	LAMP UNIT	
56	QYSBSFG4016M	TAPPING SCREW	(× 3)
△ 57	LC31216-002A	SERVICE DOOR	

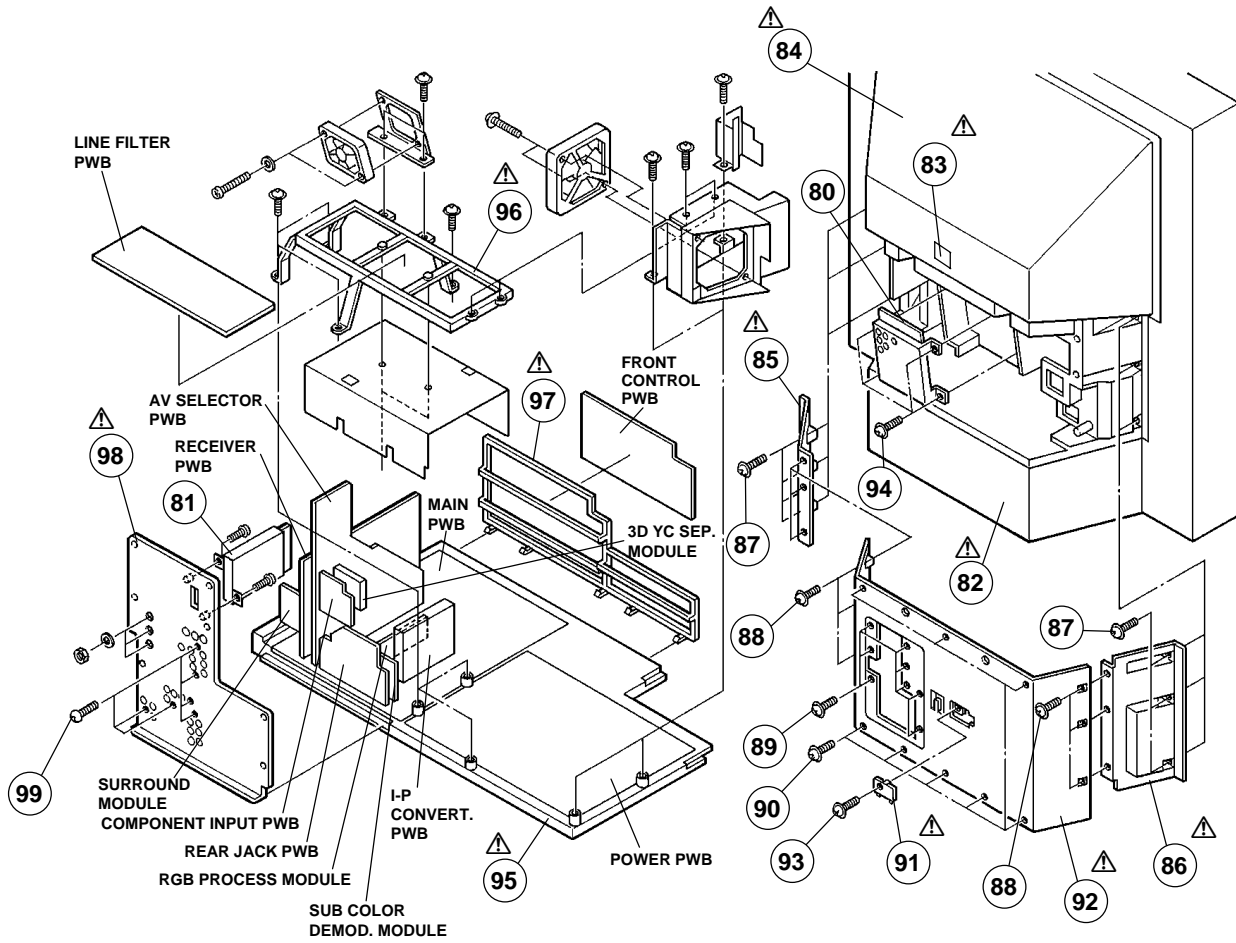
EXPLODED VIEW (III)



EXPLODED VIEW PARTS LIST (III)

△ Ref No.	Part No.	Part Name	Description
△ 70	9020P-S	OPTICAL UNIT	
△ 71	LC40433-002A	PJ LENS	
△ 72	QAR0140-001	FAN MOTOR	
73	LC40779-001A	TH COVER PLATE	
△ 74	QMRO004-003	TH. PROTECTOR	
75	LC40779-001A	TH HOLDER	

EXPLODED VIEW (IV)



EXPLODED VIEW PARTS LIST (IV)

△ Ref No.	Part No.	Part Name	Description
80	-----	MAIN DRIVE PWB	(SPD-1101A)
81	902CP-S	DIGITAL INPUT UNIT	
△ 82	LC10495-002C	BODY	
△ 83	LC20439-003B	RATING LABEL	
△ 84	LC11103-001A	BACK COVER ASSY	
△ 85	LC11108-002A	SIDE BOARD L ASSY	
△ 86	LC11109-002A	SIDE BOARD R ASSY	
△ 87	QYSBSFG4016M	TAPPING SCREW	(×6)
△ 88	QYSBSFG4020Z	TAPPING SCREW	(×6)
△ 89	QYSBSFG4016M	TAPPING SCREW	(×8)
△ 90	QYSBSFG4016M	TAPPING SCREW	(×8)
△ 91	CM36524-A01-VH	REAR PLATE	
△ 92	LC10496-002B	BACK BOARD	
△ 93	QYSBSFG4016M	TAPPING SCREW	(×1)
△ 94	QYSBSFG4016M	TAPPING SCREW	(×4)
△ 95	LC10503-001G	CHASSIS BASE	
△ 96	LC10610-001B	LINE FILTER PB BASE	
△ 97	LC20348-001C	CONTROL BASE	
△ 98	LC10653-001F	TERMINAL BOARD	
△ 99	QYSBSF3012M	TAPPING SCREW	(×7)
△ --	QMPD300-250-R	POWER CORD	
△ --	LC30661-001D-H	PB HOLDER	(REAR JACK PWB)

PRINTED WIRING BOARD PARTS LIST

■ MAIN P.W. BOARD ASS'Y (SPD-1002A)

△ Symbol No.	Part No.	Part Name	Description	△ Symbol No.	Part No.	Part Name	Description
RESISTOR				RESISTOR			
R1201	NRSA02J-102X	MG R	1kΩ 1/10W J	R1703	NRSA02J-0R0X	MG R	0.0Ω 1/10W J
R1251	NRSA02J-0R0X	MG R	0.0Ω 1/10W J	R1704	NRSA02J-103X	MG R	10kΩ 1/10W J
R1252-55	NRSA02J-221X	MG R	220Ω 1/10W J	R1705	NRSA02J-0R0X	MG R	0.0Ω 1/10W J
R1274	NRVA02D-222X	MF R	2.2kΩ 1/10W D	R1706	NRSA02J-102X	MG R	1kΩ 1/10W J
R1275	NRVA02D-182X	MF R	1.8kΩ 1/10W D	R1707	NRSA02J-103X	MG R	10kΩ 1/10W J
R1277	NRSA02J-150X	MG R	15Ω 1/10W J	R1708	NRSA02J-102X	MG R	1kΩ 1/10W J
R1278	NRSA02J-0R0X	MG R	0.0Ω 1/10W J	R1709	NRSA02J-103X	MG R	10kΩ 1/10W J
R1279	NRSA02J-102X	MG R	1kΩ 1/10W J	R1711	NRSA02J-223X	MG R	22kΩ 1/10W J
R1282	NRSA02J-0R0X	MG R	0.0Ω 1/10W J	R1712	NRSA02J-102X	MG R	1kΩ 1/10W J
R1284	NRSA02J-122X	MG R	1.2kΩ 1/10W J	R1713	NRSA02J-102X	MG R	1kΩ 1/10W J
R1285	NRVA02D-222X	MF R	2.2kΩ 1/10W D	R1714	NRSA02J-473X	MG R	47kΩ 1/10W J
R1286	NRVA02D-182X	MF R	1.8kΩ 1/10W D	R1715	NRSA02J-103X	MG R	10kΩ 1/10W J
R1288	NRSA02J-150X	MG R	15Ω 1/10W J	R1717-18	NRSA02J-101X	MG R	100Ω 1/10W J
R1289	NRSA02J-0R0X	MG R	0.0Ω 1/10W J	R1719	NRSA02J-102X	MG R	1kΩ 1/10W J
R1290	NRSA02J-102X	MG R	1kΩ 1/10W J	R1720	NRSA02J-102X	MG R	1kΩ 1/10W J
R1292	NRSA02J-0R0X	MG R	0.0Ω 1/10W J	R1723	NRSA02J-0R0X	MG R	0.0Ω 1/10W J
R1295	NRSA02J-122X	MG R	1.2kΩ 1/10W J	R1724	NRSA02J-101X	MG R	100Ω 1/10W J
R1296	NRSA02J-681X	MG R	680Ω 1/10W J	R1725	NRSA02J-102X	MG R	1kΩ 1/10W J
R1298	NRSA02J-681X	MG R	680Ω 1/10W J	R1726	NRSA02J-104X	MG R	100kΩ 1/10W J
R1301	NRSA02J-182X	MG R	1.8kΩ 1/10W J	R1727	NRSA02J-102X	MG R	1kΩ 1/10W J
R1302	NRSA02J-822X	MG R	8.2kΩ 1/10W J	R1729	NRSA02J-682X	MG R	6.8kΩ 1/10W J
R1303	NRSA02J-392X	MG R	3.9kΩ 1/10W J	R1730	NRSA02J-101X	MG R	100Ω 1/10W J
R1315	NRSA02J-182X	MG R	1.8kΩ 1/10W J	R1731	NRSA02J-820X	MG R	82Ω 1/10W J
R1316	NRSA02J-272X	MG R	2.7kΩ 1/10W J	R1732	NRSA02J-152X	MG R	1.5kΩ 1/10W J
R1317	NRSA02J-121X	MG R	120Ω 1/10W J	R1733	NRSA02J-561X	MG R	560Ω 1/10W J
R1337	NRSA02J-221X	MG R	220Ω 1/10W J	R1734	NRSA02J-102X	MG R	1kΩ 1/10W J
R1343	NRSA02J-101X	MG R	100Ω 1/10W J	R1735	NRSA02J-102X	MG R	1kΩ 1/10W J
R1345-47	NRSA02J-222X	MG R	2.2kΩ 1/10W J	R1736	NRSA02J-682X	MG R	6.8kΩ 1/10W J
R1361-66	NRSA02J-221X	MG R	220Ω 1/10W J	R1737	NRSA02J-102X	MG R	1kΩ 1/10W J
R1367	NRSA02J-272X	MG R	2.7kΩ 1/10W J	R1738	NRSA02J-122X	MG R	1.2kΩ 1/10W J
R1369-71	NRSA02J-222X	MG R	2.2kΩ 1/10W J	R1739	NRSA02J-101X	MG R	100Ω 1/10W J
R1501-03	NRSA02J-103X	MG R	10kΩ 1/10W J	R1740	NRSA02J-0R0X	MG R	0.0Ω 1/10W J
R1510-11	NRSA02J-221X	MG R	220Ω 1/10W J	R1741	NRSA02J-103X	MG R	10kΩ 1/10W J
R1512	NRSA02J-103X	MG R	10kΩ 1/10W J	R1742	NRSA02J-221X	MG R	220Ω 1/10W J
R1514	NRSA02J-0R0X	MG R	0.0Ω 1/10W J	R1743	NRSA02J-102X	MG R	1kΩ 1/10W J
R1515-16	NRSA02J-101X	MG R	100Ω 1/10W J	R1745	NRSA02J-102X	MG R	1kΩ 1/10W J
R1517	NRSA02J-472X	MG R	4.7kΩ 1/10W J	R1746	NRSA02J-102X	MG R	1kΩ 1/10W J
R1518	NRSA02J-102X	MG R	1kΩ 1/10W J	R1747	NRSA02J-103X	MG R	10kΩ 1/10W J
R1519	NRSA02J-221X	MG R	220Ω 1/10W J	R1748	NRSA02J-682X	MG R	6.8kΩ 1/10W J
R1520	NRSA02J-472X	MG R	4.7kΩ 1/10W J	R1749	NRSA02J-103X	MG R	10kΩ 1/10W J
R1521	NRSA02J-221X	MG R	220Ω 1/10W J	R1750	NRSA02J-0R0X	MG R	0.0Ω 1/10W J
R1524	NRSA02J-103X	MG R	10kΩ 1/10W J	R1751	NRSA02J-102X	MG R	1kΩ 1/10W J
R1531	NRSA02J-102X	MG R	1kΩ 1/10W J	R1752	NRSA02J-682X	MG R	6.8kΩ 1/10W J
R1532	NRSA02J-102X	MG R	1kΩ 1/10W J	R1754	NRSA02J-103X	MG R	10kΩ 1/10W J
R1551	NRSA02J-472X	MG R	4.7kΩ 1/10W J	R1755-56	NRSA02J-0R0X	MG R	0.0Ω 1/10W J
R1552	NRSA02J-682X	MG R	6.8kΩ 1/10W J	R1757-58	NRSA02J-103X	MG R	10kΩ 1/10W J
R1554	NRSA02J-153X	MG R	15kΩ 1/10W J	R1759	NRSA02J-102X	MG R	1kΩ 1/10W J
R1555	NRSA02J-103X	MG R	10kΩ 1/10W J	R1761	NRSA02J-103X	MG R	10kΩ 1/10W J
R1558	NRSA02J-102X	MG R	1kΩ 1/10W J	R1762	NRSA02J-102X	MG R	1kΩ 1/10W J
R1563	NRSA02J-102X	MG R	1kΩ 1/10W J	R1764	NRSA02J-0R0X	MG R	0.0Ω 1/10W J
R1564	NRSA02J-102X	MG R	1kΩ 1/10W J	R1766-67	NRSA02J-103X	MG R	10kΩ 1/10W J
R1565-67	NRSA02J-472X	MG R	4.7kΩ 1/10W J	R1769	NRSA02J-471X	MG R	470Ω 1/10W J
R1568	NRSA02J-102X	MG R	1kΩ 1/10W J	R1770	NRSA02J-820X	MG R	82Ω 1/10W J
R1569	NRSA02J-102X	MG R	1kΩ 1/10W J	R1771	NRSA02J-220X	MG R	22Ω 1/10W J
R1571	NRSA02J-102X	MG R	1kΩ 1/10W J	R1772	NRSA02J-820X	MG R	82Ω 1/10W J
R1574	NRSA02J-0R0X	MG R	0.0Ω 1/10W J	R1773-74	NRSA02J-220X	MG R	22Ω 1/10W J
△ R1581	QRK126J-100X	C R	10Ω 1/2W J	R1776	NRSA02J-0R0X	MG R	0.0Ω 1/10W J
R1582	NRSA02J-104X	MG R	100kΩ 1/10W J	R1777	NRSA02J-102X	MG R	1kΩ 1/10W J
R1651-54	NRSA02J-101X	MG R	100Ω 1/10W J	R1778	NRSA02J-682X	MG R	6.8kΩ 1/10W J
R1655	NRSA02J-221X	MG R	220Ω 1/10W J	R1779	NRSA02J-151X	MG R	150Ω 1/10W J
R1656	NRSA02J-101X	MG R	100Ω 1/10W J	R1780	NRSA02J-0R0X	MG R	0.0Ω 1/10W J
R1657-58	NRSA02J-103X	MG R	10kΩ 1/10W J	R1781	NRSA02J-103X	MG R	10kΩ 1/10W J
R1659	NRSA02J-221X	MG R	220Ω 1/10W J	R1782	NRSA02J-0R0X	MG R	0.0Ω 1/10W J
R1660-63	NRSA02J-101X	MG R	100Ω 1/10W J	R1783	NRSA02J-101X	MG R	100Ω 1/10W J
R1664	NRSA02J-473X	MG R	47kΩ 1/10W J	R1784	NRSA02J-103X	MG R	10kΩ 1/10W J
R1671	QRE123J-180X	C R	18Ω 1/2W J	R1785	NRSA02J-101X	MG R	100Ω 1/10W J
R1701	NRSA02J-102X	MG R	1kΩ 1/10W J	R1786	NRSA02J-272X	MG R	2.7kΩ 1/10W J
R1702	NRSA02J-103X	MG R	10kΩ 1/10W J	R1787	NRSA02J-101X	MG R	100Ω 1/10W J

△ Symbol No.	Part No.	Part Name	Description
CAPACITOR			
C1746	NCB21AK-105X	CHI P. CAP.	1μF 10V K
C1747	NDC21HJ-330X	C CAP.	33pF 50V J
C1748	QETN1HM-106Z	E CAP.	10μF 50V M
C1749	NCB21EK-104X	C CAP.	0.1μF 25V K
C1750-52	NCB21HK-104X	CHI P. CAP.	0.1μF 50V K
C1758	NCB21HK-104X	CHI P. CAP.	0.1μF 50V K
C1761	NCB21HK-104X	CHI P. CAP.	0.1μF 50V K
C1880	NCF21HZ-104X	C CAP.	0.1μF 50V Z
C1881	QETN1EM-476Z	E CAP.	47μF 25V M
C1901	QEHR1EM-107Z	E CAP.	100μF 25V M
C1902	QEHR1CM-107Z	E CAP.	100μF 16V M
C1907-08	QEHR1CM-107Z	E CAP.	100μF 16V M
C1941	QEHR1VM-477Z	E CAP.	470μF 35V M
C1942	QEZO255-128	E CAP.	1200μF 16V M
C1944	QTTM1VM-108	E CAP.	1000μF 35V M
C1945	QEZO256-228	E CAP.	2200μF 10V M
C1946	QFV71HJ-104Z	MF CAP.	0.1μF 50V J
C1947-48	QEHR1CM-477Z	E CAP.	470μF 16V M
C1949	QEHR1AM-108Z	E CAP.	1000μF 10V M
C1950	QEZO256-128	E CAP.	1200μF 10V M
C1961	QEHR1HM-105Z	E CAP.	1μF 50V M
COIL			
L1253	NQL011K-3R3X	COIL	3.3μH
L1257	QQL25CK-100Z	COIL	10μH K
L1301	QQL25CK-100Z	COIL	10μH K
L1331	QQL25CK-100Z	COIL	10μH K
L1361	QQL25CK-100Z	COIL	10μH K
L1501	QQL25CK-100Z	COIL	10μH K
L1551	QQL25CK-100Z	COIL	10μH K
L1582	QQL25CK-100Z	COIL	10μH K
L1583	QRN143J-OROX	C R	0.0Ω 1/4W J
L1584	QQL25CK-100Z	COIL	10μH K
L1586	QQL26AK-100Z	CHOKE COIL	
L1681	QQL25CK-100Z	COIL	10μH K
L1683	QQL25CK-100Z	COIL	10μH K
L1701	QQL01BK-4R7Z	COIL	4.7μH K
L1702	QQL244J-1R5Z	PEAKING COIL	
L1703-04	QQL01BK-4R7Z	COIL	4.7μH K
L1901	NRS181J-OROX	MG R	0.0Ω 1/8W J
L1941	QQR0518-001	CHOKE COIL	
L1942	QQR0519-001	CHOKE COIL	
L1943	QQL50AK-330Z	CHOKE COIL	
L1944	QQL26AK-330Z	COIL	33μH K
L1945	QQLZ018-220	HEATER CHOKE	
L1946	QQL26AM-8R2Z	COIL	8.2μH M
DIODE			
D1201	MA3082/N/-X	ZENER DIODE	
D1251-52	MA3120/N/-X	ZENER DIODE	
D1709	MA111-X	SI. DIODE	
D1714	MA3220/N/-X	ZENER DIODE	
D1717	MA111-X	SI. DIODE	
D1901	1N4003-T2	SI. DIODE	
D1902	MA111-X	SI. DIODE	
D1904	1N4003-T2	SI. DIODE	
D1905	MA111-X	SI. DIODE	
D1941	RK44-LFT4	SI. DIODE	
D1942	SF5S4	SI. DIODE	
D1943	RD6.8E/B2/-T2	ZENER DIODE	
D1962	MA3043-X	ZENER DIODE	
D1963	RD11E/B2/-T2	ZENER DIODE	
D1964-65	NRSA02J-101X	MG R	100Ω 1/10W J
TRANSISTOR			
Q1254	2SC3837K/NP/-X	SI. TRANSISTOR	
Q1256-57	2SC3837K/NP/-X	SI. TRANSISTOR	
Q1259-60	2SC3837K/NP/-X	SI. TRANSISTOR	
Q1262	2SC3837K/NP/-X	SI. TRANSISTOR	
Q1301	2SA1022/BC/-X	SI. TRANSISTOR	
Q1303	2SC2412K/QR/-X	SI. TRANSISTOR	

△ Symbol No.	Part No.	Part Name	Description
TRANSISTOR			
Q1651	DTC144EKA-X	DI G. TRANSISTOR	
Q1701	2SA1037AK/QR/-X	SI. TRANSISTOR	
Q1703	2SA1037AK/QR/-X	SI. TRANSISTOR	
Q1961-62	MSD601/R/-X	SI. TRANSISTOR	
Q1981	2SC4685	SI. TRANSISTOR	
Q1984	2SC4685	SI. TRANSISTOR	
IC			
IC1251	LA7151M-W	I. C. (MONO-ANA)	
IC1252	M52055FP-X	I. C. (MONO-ANA)	
IC1255	JLC1562BF-X	I. C. (DI G. -MOS)	
IC1331	M52055FP-X	I. C. (MONO-ANA)	
IC1361	M52055FP-X	I. C. (MONO-ANA)	
IC1501	JLC1562BF-X	I. C. (DI G. -MOS)	
IC1502	JLC1563M-X	I. C. (DI G. -MOS)	
IC1551	TC74HC4538AF-X	I. C. (DI G. -MOS)	
IC1552	HD74HC32FP-X	I. C. (DI G. -MOS)	
IC1581	BA033FP-X	I. C. (MONO-ANA)	
IC1582	BA05FP-X	I. C. (MONO-ANA)	
IC1651	TC4053BF/N/-XE	I. C. (DI G. -MOS)	
IC1652	TC7W08F-X	I. C. (ECL-LOGIC)	
IC1671	AN78L05-T	I. C. (MONO-ANA)	
IC1701	MN102L35GJD	I. C.	
IC1702	AT24C32-10PC	I. C. (EP-ROM)	
IC1703	MN1382/Q/-X	I. C. (MONO-ANA)	
IC1704	TC74HC14AF-X	I. C. (DI G. -MOS)	
IC1705	TC74HC4538AF-X	I. C. (DI G. -MOS)	
IC1706	JLC1563M-X	I. C. (DI G. -MOS)	
IC1901	PQ12RF1	I. C.	
IC1903	PQ3RD23	I. C. (MONO-ANA)	
IC1941	SI-8090S	I. C. (HYBRID)	
IC1942	MC33167TV	I. C. (MONO-ANA)	
OTHERS			
CN1002	QGB1505J1-35	RECEPTACLE	
CN1003	QGB1505J1-25	CONNECTOR	
CN1005	QGB1505J1-35	RECEPTACLE	
CN1010	QGB1505J1-25	CONNECTOR	
△ CP1941	ICP-N38-Y	I. C. PROTECT	
J1201	QNS0001-001	JACK	
K1581	CE41433-001Z	BEADS CORE	
K1701	CE41433-001Z	BEADS CORE	
K1941-42	QRN143J-OROX	C R	0.0Ω 1/4W J
LC1361	NOR0169-001X	EMI FILTER	
LC1701-03	NOR0169-001X	EMI FILTER	
X1701	CE41887-001Z	CRYSTAL	
MAIN DRIVE P.W. BOARD ASS'Y (SPD-1101A)			
△ Symbol No.	Part No.	Part Name	Description
OTHER			
	SPD-1101A	MAIN DRIVE PWB	
SUB DRIVE MODULE P.W. BOARD ASS'Y (SPD-3001A)			
<i>* This module is assembled OPTICAL BLOCK and memory ICs.</i>			
△ Symbol No.	Part No.	Part Name	Description
OTHER			
	9020P-S	OPTICS UNIT	(SUB DRIVE MODULE)

■ LED P.W. BOARD ASS'Y (SPD-7001A)

△ Symbol No.	Part No.	Part Name	Description
RESISTOR			
R7704	NRSA02J-221X	MG R	220Ω 1/10W J
R7705	NRSA02J-103X	MG R	10kΩ 1/10W J
R7707	NRSA02J-102X	MG R	1kΩ 1/10W J
R7708	NRSA02J-102X	MG R	1kΩ 1/10W J
R7709	NRSA02J-681X	MG R	680Ω 1/10W J
R7715-16	NRSA02J-0ROX	MG R	0.0Ω 1/10W J
R7720-22	NRSA02J-103X	MG R	10kΩ 1/10W J
R7727-28	NRSA02J-561X	MG R	560Ω 1/10W J
R7742-43	NRSA02J-561X	MG R	560Ω 1/10W J
R7748	NRSA02J-562X	MG R	5.6kΩ 1/10W J
R7749	NRSA02J-153X	MG R	15kΩ 1/10W J
R7750	NRSA02J-562X	MG R	5.6kΩ 1/10W J
R7751	NRSA02J-153X	MG R	15kΩ 1/10W J
R7771	NRSA02J-102X	MG R	1kΩ 1/10W J
R7772	NRSA02J-102X	MG R	1kΩ 1/10W J
R7773-78	NRSA02J-561X	MG R	560Ω 1/10W J
R7779-84	NRSA02J-103X	MG R	10kΩ 1/10W J
CAPACITOR			
C7701	QETN1HM-106Z	E. CAP.	10μF 50V M
C7702	QFLC1HJ-563Z	M. CAP.	0.056μF 50V J
C7706-07	NDC21HJ-221X	C. CAP.	220pF 50V J
C7721	QETN1HM-106Z	E. CAP.	10μF 50V M
C7722	QFLC1HJ-563Z	M. CAP.	0.056μF 50V J
C7723-24	NDC21HJ-221X	C. CAP.	220pF 50V J
DIODE			
D7703	SLR-342MG-T10	L. E. D.	
D7704	SLR-342VR-T10	L. E. D.	
D7711-20	SLR-342MG-T10	L. E. D.	
IC			
IC7702	M50253P	I. C. (DIGI-MOS)	
IC7711	M50253P	I. C. (DIGI-MOS)	
OTHERS			
S7701	LC30726-001A	ACC. LED HOLDER	
S7702	LC30727-001A	CONT. LED HOLDER	
S7703	OSW0619-003Z	PUSH SWITCH	
S7704	OSW0619-003Z	PUSH SWITCH	
S7705	OSW0619-003Z	PUSH SWITCH	
S7706	OSW0619-003Z	PUSH SWITCH	
S7707	OSW0619-003Z	PUSH SWITCH	
S7708	OSW0619-003Z	PUSH SWITCH	

■ FRONT JACK P.W. BOARD ASS'Y (SPD-7101A)

△ Symbol No.	Part No.	Part Name	Description
RESISTOR			
R7401	NRSA02J-750X	MG R	75Ω 1/10W J
R7402-03	NRSA02J-224X	MG R	220kΩ 1/10W J
R7404-05	NRSA02J-750X	MG R	75Ω 1/10W J
R7407	NRSA02J-103X	MG R	10kΩ 1/10W J
CAPACITOR			
C7442-43	QETN1HM-105Z	E. CAP.	1μF 50V M
C7444-45	QETN1HM-106Z	E. CAP.	10μF 50V M
C7446	QFLC1HJ-103Z	M. CAP.	0.01μF 50V J
DIODE			
D7402-06	MA3120/M/-X	ZENER DIODE	
OTHERS			
J7401	QNZ0438-001	JACK	
LC7401-05	NOR0169-001X	EMI FILTER	

■ FRONT CONTROL P.W. BOARD ASS'Y (SPD-7202A)

△ Symbol No.	Part No.	Part Name	Description
RESISTOR			
R7301	NRSA02J-473X	MG R	47kΩ 1/10W J
R7302	NRSA02J-333X	MG R	33kΩ 1/10W J
R7303	NRSA02J-271X	MG R	270Ω 1/10W J
R7304	NRSA02J-103X	MG R	10kΩ 1/10W J
R7305	NRSA02J-393X	MG R	39kΩ 1/10W J
R7306	NRSA02J-104X	MG R	100kΩ 1/10W J
R7307	NRSA02J-103X	MG R	10kΩ 1/10W J
R7308	NRSA02J-560X	MG R	56Ω 1/10W J
R7311-12	NRSA02J-0ROX	MG R	0.0Ω 1/10W J
R7316	NRSA02J-222X	MG R	2.2kΩ 1/10W J
R7317	NRSA02J-103X	MG R	10kΩ 1/10W J
R7318	NRSA02J-222X	MG R	2.2kΩ 1/10W J
R7319-20	NRSA02J-101X	MG R	100Ω 1/10W J
R7324-25	NRSA02J-121X	MG R	120Ω 1/10W J
R7326	NRSA02J-273X	MG R	27kΩ 1/10W J
R7327	NRSA02J-333X	MG R	33kΩ 1/10W J
R7343-44	NRSA02J-103X	MG R	10kΩ 1/10W J
R7346	NRSA02J-103X	MG R	10kΩ 1/10W J
R7347	NRSA02J-102X	MG R	1kΩ 1/10W J
R7348	NRSA02J-222X	MG R	2.2kΩ 1/10W J
R7349	NRSA02J-103X	MG R	10kΩ 1/10W J
R7353	NRSA02J-103X	MG R	10kΩ 1/10W J
R7354-55	NRSA02J-151X	MG R	150Ω 1/10W J
R7357-58	NRSA02J-0ROX	MG R	0.0Ω 1/10W J
R7363	NRSA02J-273X	MG R	27kΩ 1/10W J
R7364	NRSA02J-223X	MG R	22kΩ 1/10W J
R7365	NRSA02J-472X	MG R	4.7kΩ 1/10W J
R7370-71	NRSA02J-221X	MG R	220Ω 1/10W J
R7374	NRSA02J-221X	MG R	220Ω 1/10W J
R7375-76	NRSA02J-471X	MG R	470Ω 1/10W J
R7377	NRSA02J-221X	MG R	220Ω 1/10W J
R7378	NRSA02J-103X	MG R	10kΩ 1/10W J
R7379	NRSA02J-332X	MG R	3.3kΩ 1/10W J
R7380	NRSA02J-153X	MG R	15kΩ 1/10W J
R7391	NRSA02J-562X	MG R	5.6kΩ 1/10W J
R7702	NRSA02J-103X	MG R	10kΩ 1/10W J
R7703	NRSA02J-102X	MG R	1kΩ 1/10W J
R7704-05	NRSA02J-221X	MG R	220Ω 1/10W J
R7706	NRSA02J-103X	MG R	10kΩ 1/10W J
R7707	NRSA02J-104X	MG R	100kΩ 1/10W J
R7710-11	NRSA02J-101X	MG R	100Ω 1/10W J
R7713	NRSA02J-102X	MG R	1kΩ 1/10W J
R7714	NRSA02J-103X	MG R	10kΩ 1/10W J
R7719	NRSA02J-102X	MG R	1kΩ 1/10W J
R7723	NRSA02J-103X	MG R	10kΩ 1/10W J
R7729-30	NRSA02J-101X	MG R	100Ω 1/10W J
R7731	NRSA02J-102X	MG R	1kΩ 1/10W J
R7732	NRSA02J-102X	MG R	1kΩ 1/10W J
R7733-34	NRSA02J-103X	MG R	10kΩ 1/10W J
R7736	NRSA02J-0ROX	MG R	0.0Ω 1/10W J
R7737	NRSA02J-103X	MG R	10kΩ 1/10W J
R7738	NRSA02J-102X	MG R	1kΩ 1/10W J
R7739	NRSA02J-102X	MG R	1kΩ 1/10W J
R7740	NRSA02J-102X	MG R	1kΩ 1/10W J
R7742	NRSA02J-102X	MG R	1kΩ 1/10W J
R7743	NRSA02J-221X	MG R	220Ω 1/10W J
R7754	NRSA02J-0ROX	MG R	0.0Ω 1/10W J
R7756	NRSA02J-103X	MG R	10kΩ 1/10W J
R7758	NRSA02J-333X	MG R	33kΩ 1/10W J
R7763	NRSA02J-103X	MG R	10kΩ 1/10W J
R7765	NRSA02J-103X	MG R	10kΩ 1/10W J
R7778-79	NRSA02J-221X	MG R	220Ω 1/10W J
R7788-91	NRSA02J-0ROX	MG R	0.0Ω 1/10W J
R7792-96	NRSA02J-221X	MG R	220Ω 1/10W J
CAPACITOR			
C7301	QETN1EM-476Z	E. CAP.	47μF 25V M
C7302	NCB21EK-104X	C. CAP.	0.1μF 25V K
C7303	QETN1HM-474Z	E. CAP.	0.47μF 50V M
C7304	NCB21HK-222X	C. CAP.	2200pF 50V K

△ Symbol No.	Part No.	Part Name	Description
CAPACITOR			
C7301	QETN1EM-476Z	E CAP.	47µF 25V M
C7302	NCB21EK-104X	C CAP.	0.1µF 25V K
C7303	QETN1HM-474Z	E CAP.	0.47µF 50V M
C7304	NCB21HK-222X	C CAP.	2200pF 50V K
C7305	NCB21HK-472X	C CAP.	4700pF 50V K
C7306	NDC21HJ-121X	C CAP.	120pF 50V J
C7307	NCB21HK-472X	C CAP.	4700pF 50V K
C7308	QENC1HM-105Z	BP E CAP.	1µF 50V M
C7309	QETN1HM-474Z	E CAP.	0.47µF 50V M
C7310	NDC21HJ-680X	C CAP.	68pF 50V J
C7311	NCB21HK-473X	C CAP.	0.047µF 50V K
C7312-13	QETN1HM-106Z	E CAP.	10µF 50V M
C7314	QETN1EM-476Z	E CAP.	47µF 25V M
C7315-16	QENC1HM-106Z	BP E CAP.	10µF 50V M
C7317	QETN1HM-475Z	E CAP.	4.7µF 50V M
C7318	NCB21HK-153X	C CAP.	0.015µF 50V K
C7319	NDC21HJ-102X	C CAP.	1000pF 50V J
C7320	NDC21HJ-331X	C CAP.	330pF 50V J
C7321	NDC21HJ-680X	C CAP.	68pF 50V J
C7322-24	NCB21EK-104X	C CAP.	0.1µF 25V K
C7329	QETN1HM-106Z	E CAP.	10µF 50V M
C7331	QETN1EM-476Z	E CAP.	47µF 25V M
C7332	NCB21EK-104X	C CAP.	0.1µF 25V K
C7333	NDC21HJ-100X	C CAP.	10pF 50V J
C7337	QETN1CM-107Z	E CAP.	100µF 16V M
C7338-39	NDC21HJ-221X	C CAP.	220pF 50V J
C7344	NDC21HJ-821X	C CAP.	820pF 50V J
C7703	QETN1HM-106Z	E CAP.	10µF 50V M
C7704	QFLC1HJ-563Z	M CAP.	0.056µF 50V J
C7705	QETN1CM-107Z	E CAP.	100µF 16V M
C7725	QETN1HM-106Z	E CAP.	10µF 50V M
C7726	QFLC1HJ-563Z	M CAP.	0.056µF 50V J
COIL			
L7301	NQLO11K-5R6X	COIL	5.6µH
L7302	QQL25CK-100Z	COIL	10µH K
L7303	QQL25CK-220Z	COIL	22µH K
L7701	QQL25CK-100Z	COIL	10µH K
DIODE			
D7305	MA111-X	SI. DIODE	
D7310	MA111-X	SI. DIODE	
D7311	NRSA02J-OROX	MG R	0.0Ω 1/10W J
D7314-15	MA153A-X	SI. DIODE	
D7704-05	MA3082/M/-X	ZENER DIODE	
D7735-39	MA3082/M/-X	ZENER DIODE	
D7745-46	MA3082/M/-X	ZENER DIODE	
TRANSISTOR			
Q7308-11	DTC144EKA-X	DI GI. TRANSISTOR	
Q7312-13	2SC2412K/QR/-X	SI. TRANSISTOR	
Q7314-15	DTC144EKA-X	DI GI. TRANSISTOR	
Q7317	2SC2412K/QR/-X	SI. TRANSISTOR	
Q7319	DTC144EKA-X	DI GI. TRANSISTOR	
Q7320-22	2SC2412K/QR/-X	SI. TRANSISTOR	
Q7331	2SA1037AK/QR/-X	SI. TRANSISTOR	
Q7722	2SC2412K/QR/-X	SI. TRANSISTOR	
Q7723	DTC144EKA-X	DI GI. TRANSISTOR	
IC			
IC7301	M52001SP	I. C. (MONO-ANA)	
IC7304	TC4052BF/N/-XE	I. C. (DI GI -MOS)	
IC7306	TC4052BF/N/-XE	I. C. (DI GI -MOS)	
IC7310	TC7W02F-X	I. C. (ECL-LOGIC)	
IC7701	JLC1562BF-X	I. C. (DI GI -MOS)	
IC7712	JLC1562BF-X	I. C. (DI GI -MOS)	
OTHERS			
J7001	QNZ0082-001	CONNECTOR	

DIGITAL INPUT MODULE P.W. BOARD ASS'Y (SPD-7801A)

* This module is assembled service short jumper.

△ Symbol No.	Part No.	Part Name	Description
	902CP-S	DIGITAL INPUT UNIT	(DIGITAL INPUT PWB)

OTHER

POWER P.W. BOARD ASS'Y (SPD-9001A)

△ Symbol No.	Part No.	Part Name	Description
VARIABLE RESISTOR			

R9125	QVPO053-501Z	V R	500Ω
R9330	QVPO053-103Z	V R	10kΩ
R9410	QVPO053-102Z	V R	1kΩ
R9413	QVPO053-102Z	V R	1kΩ
R9415	QVPO055-202Z	TRIM R	2kΩ

RESISTOR

△ R9001	QRZ0216-4R7	UNF. WW R	4.7Ω
R9101-02	QRE121J-224Y	C R	220kΩ 1/2W J
R9103	QRMO59J-R22	MP R	0.22Ω 5W J
R9104	QRMO59J-R47	MP R	0.47Ω 5W J
R9105	QRE121J-154Y	C R	150kΩ 1/2W J
R9106-07	QRE121J-124Y	C R	120kΩ 1/2W J
R9108	QRE121J-224Y	C R	220kΩ 1/2W J
R9109	QRE121J-124Y	C R	120kΩ 1/2W J
R9110	QRE121J-104Y	C R	100kΩ 1/2W J
R9111	NRSA02J-103X	MG R	10kΩ 1/10W J
△ R9112	QRK126J-4R7X	C R	4.7Ω 1/2W J
R9113	NRSA02J-470X	MG R	47Ω 1/10W J
R9114	NRSA02J-OROX	MG R	0.0Ω 1/10W J
R9115	NRSA02J-273X	MG R	27kΩ 1/10W J
R9116	NRSA02J-473X	MG R	47kΩ 1/10W J
△ R9117	QRK126J-390X	C R	39Ω 1/2W J
R9118	NRSA02J-105X	MG R	10Ω 1/10W J
R9119	NRSA02J-103X	MG R	10kΩ 1/10W J
R9120	NRSA02J-474X	MG R	470kΩ 1/10W J
R9121	NRSA02J-333X	MG R	33kΩ 1/10W J
R9122	NRSA02J-222X	MG R	2.2kΩ 1/10W J
R9123	NRSA02J-152X	MG R	1.5kΩ 1/10W J
R9124	NRSA02J-471X	MG R	470Ω 1/10W J
R9126	NRSA02J-182X	MG R	1.8kΩ 1/10W J
R9127	NRS12BJ-273W	MG R	27kΩ 1/2W J
R9128	NRS12BJ-563W	MG R	56kΩ 1/2W J
R9129	NRS12BJ-273W	MG R	27kΩ 1/2W J
R9130	NRS12BJ-563W	MG R	56kΩ 1/2W J
R9131	NRSA02J-273X	MG R	27kΩ 1/10W J
R9132	NRSA02J-333X	MG R	33kΩ 1/10W J
R9133	NRSA02J-103X	MG R	10kΩ 1/10W J
R9134	NRSA02J-333X	MG R	33kΩ 1/10W J
△ R9135	QRZ0069-272	UNF. WW R	2.7kΩ
△ R9201	QRZ9017-100	F R	10 Ω 1/4W J
R9202	QRL039J-104	OM R	100kΩ 3W J
R9203-04	QRE121J-6R8Y	C R	6.8Ω 1/2W J
R9205	NRSA02J-103X	MG R	10kΩ 1/10W J
R9206-07	QRE121J-330Y	C R	33Ω 1/2W J
R9301	QRMO59J-R10	MP R	0.10Ω 5W J
R9302	QRMO59J-R15	MP R	0.15Ω 5W K
R9304	QRE121J-220Y	C R	22Ω 1/2W J
△ R9305	QRK126J-2R2X	C R	2.2Ω 1/2W J
R9306	NRSA02J-122X	MG R	1.2kΩ 1/10W J
R9307	NRSA02J-102X	MG R	1kΩ 1/10W J
R9308	NRSA02J-222X	MG R	2.2kΩ 1/10W J
R9309	QRE121J-220Y	C R	22Ω 1/2W J
△ R9310	QRK126J-2R2X	C R	2.2Ω 1/2W J

△ Symbol No. Part No. Part Name Description

RESISTOR

R9947	NRSA02J-122X	MG R	1.2kΩ 1/10W J
R9950	QRL02EJ-680X	OMF R	68Ω 2W J
R9951	QRL02EJ-470X	OMF R	47Ω 2W J
R9952	QRL02EJ-680X	OMF R	68Ω 2W J
R9953	QRL02EJ-470X	OMF R	47Ω 2W J
R9954	QRL02EJ-121X	OM R	120Ω 2W J
R9961	NRSA02J-683X	MG R	68kΩ 1/10W J
R9962	NRSA02J-822X	MG R	8.2kΩ 1/10W J
R9963	NRSA02J-562X	MG R	5.6kΩ 1/10W J
R9964	NRSA02J-683X	MG R	68kΩ 1/10W J
R9966	NRSA02J-181X	MG R	180Ω 1/10W J
R9967	NRSA02J-122X	MG R	1.2kΩ 1/10W J
R9969	NRSA02J-0R0X	MG R	0.0Ω 1/10W J
R9970	NRSA02J-472X	MG R	4.7kΩ 1/10W J
R9971-72	NRSA02J-271X	MG R	270Ω 1/10W J
R9973	NRSA02J-222X	MG R	2.2kΩ 1/10W J
R9974	QRE121J-222Y	C R	2.2kΩ 1/2W J
R9976	QRT03EJ-1R5X	MF R	1.5Ω 3W J
R9977-78	NRSA02J-472X	MG R	4.7kΩ 1/10W J
R9981	NRSA02J-330X	MG R	33Ω 1/10W J
R9982	NRSA02J-102X	MG R	1kΩ 1/10W J
R9985	NRSA02J-392X	MG R	3.9kΩ 1/10W J
R9986	NRSA02J-271X	MG R	270Ω 1/10W J
R9987	NRSA02J-223X	MG R	22kΩ 1/10W J
R9988	NRSA02J-104X	MG R	100kΩ 1/10W J
R9989	NRSA02J-223X	MG R	22kΩ 1/10W J
R9990	NRSA02J-104X	MG R	100kΩ 1/10W J
R9993	NRSA02J-223X	MG R	22kΩ 1/10W J
R9994	NRSA02J-104X	MG R	100kΩ 1/10W J
R9995	NRSA02J-823X	MG R	82kΩ 1/10W J
R9996-98	NRSA02J-472X	MG R	4.7kΩ 1/10W J

CAPACITOR

△ C9001	QFZ9040-474	MF CAP.	0.47μFAC275V M
△ C9002	QCZ9082-222Z	C CAP.	2200pFAC250V M
△ C9003	QCZ9082-222Z	C CAP.	2200pFAC250V M
△ C9004	QCZ9082-222Z	C CAP.	2200pFAC250V M
△ C9005	QCZ9082-222Z	C CAP.	2200pFAC250V M
C9101	QFZ0128-474	MPP CAP.	0.47μF 400V ±3%
C9102	QEZO431-227	E CAP.	220μF
C9103	NCB21HK-102X	C CAP.	1000pF 50V K
C9104	NDC21HJ-471X	C CAP.	470pF 50V J
C9106	NCB21HK-103X	C CAP.	0.01μF 50V K
C9107	NCF21HZ-334X	C CAP.	0.33μF 50V Z
C9108	NDC21HJ-680X	C CAP.	680pF 50V J
C9109	NDC21HJ-471X	C CAP.	470pF 50V J
C9110	NDC21HJ-152X	C CAP.	1500pF 50V J
C9111	NCB21EK-154X	C CAP.	0.15μF 25V K
C9112	QEHR1VM-107Z	E CAP.	100μF 35V M
C9113	QEHR1HM-106Z	E CAP.	10μF 50V M
C9114	NCB21HK-104X	CHI P. CAP.	0.1μF 50V K
C9201	QEHR2GM-106Z	E CAP.	10μF 400V M
C9202	QFP32JJ-103	PP CAP.	0.01μF 630V J
C9203	NCB21EK-104X	C CAP.	0.1μF 25V K
C9204	QETN1EM-476Z	E CAP.	47μF 25V M
C9205	NCB21EK-104X	C CAP.	0.1μF 25V K
C9206	QETN1EM-476Z	E CAP.	47μF 25V M
C9207	QCB32HK-331Z	C CAP.	330pF 500V K
C9208-09	QEHR1VM-107Z	E CAP.	100μF 35V M
C9210	QCB32HK-331Z	C CAP.	330pF 500V K
C9211	QEHR1EM-477Z	E CAP.	470μF 25V M
C9212	QEHR1EM-107Z	E CAP.	100μF 25V M
C9213	NCB21EK-104X	C CAP.	0.1μF 25V K
C9214	QEHR1CM-107Z	E CAP.	100μF 16V M
C9216	QCB32HK-102Z	C CAP.	1000pF 500V K
C9301	QFZ0128-474	MPP CAP.	0.47μF 400V ±3%
C9302-03	QCZO122-151	C CAP.	150pF 2kV K
C9304	QFZ0204-105	MPP CAP.	1μF
C9305-06	NDC21HJ-102X	C CAP.	1000pF 50V J
C9307	QEHR1EM-107Z	E CAP.	100μF 25V M
C9308	NCB21EK-104X	C CAP.	0.1μF 25V K

△ Symbol No. Part No. Part Name Description

CAPACITOR

C9309	QETN1EM-476Z	E CAP.	47μF 25V M
C9310-11	QEHR1HM-105Z	E CAP.	1μF 50V M
C9312	NCB21EK-104X	C CAP.	0.1μF 25V K
C9313	QEHR1HM-105Z	E CAP.	1μF 50V M
C9314	NCB21HK-102X	C CAP.	1000pF 50V K
C9315	NCB21HK-103X	C CAP.	0.01μF 50V K
C9316	NDC21HJ-102X	C CAP.	1000pF 50V J
C9317	NCB21EK-104X	C CAP.	0.1μF 25V K
C9318	NCB21HK-104X	CHI P. CAP.	0.1μF 50V K
C9319	QEHR2CM-105Z	E CAP.	1μF 160V M
C9320	NCB21HK-103X	C CAP.	0.01μF 50V K
C9321	QETN1HM-105Z	E CAP.	1μF 50V M
C9322	QETN1HM-475Z	E CAP.	4.7μF 50V M
C9323	QEHR1HM-106Z	E CAP.	10μF 50V M
C9324	QEHR1CM-107Z	E CAP.	100μF 16V M
C9325-31	NCB21EK-104X	C CAP.	0.1μF 25V K
C9332	NCB21HK-103X	C CAP.	0.01μF 50V K
C9333	QETN1HM-105Z	E CAP.	1μF 50V M
C9334	NCB21EK-104X	C CAP.	0.1μF 25V K
C9335	NCB21HK-104X	CHI P. CAP.	0.1μF 50V K
C9336	QEHR1CM-227Z	E CAP.	220μF 16V M
C9337	QEHR1CM-477Z	E CAP.	470μF 16V M
C9338	NCB21HK-104X	CHI P. CAP.	0.1μF 50V K
C9339-40	QFZ0204-223	MPP CAP.	0.022μF
C9341-42	NCB21HK-104X	CHI P. CAP.	0.1μF 50V K
C9343-44	NCB21HK-102X	C CAP.	1000pF 50V K
C9345	NCB21HK-104X	CHI P. CAP.	0.1μF 50V K
C9346	NCB21HK-103X	C CAP.	0.01μF 50V K
C9347	NCB21HK-102X	C CAP.	1000pF 50V K
C9348	QCZO122-222	C CAP.	2200pF 2kV K
C9350	NCB21HK-103X	C CAP.	0.01μF 50V K
C9351	QEHR1CM-107Z	E CAP.	100μF 16V M
C9352	QETN1EM-476Z	E CAP.	47μF 25V M
C9353	NCB21HK-103X	C CAP.	0.01μF 50V K
C9354	NCB21HK-102X	C CAP.	1000pF 50V K
C9355	NCB21HK-103X	C CAP.	0.01μF 50V K
C9601	QETN1EM-476Z	E CAP.	47μF 25V M
C9603	NCB21EK-104X	C CAP.	0.1μF 25V K
△ C9604	2200pFAC250V M		3300pFAC250V M
△ C9605	QCZ9079-332	C CAP.	3300pFAC250V M
△ C9606	QEHR1CM-107Z	E CAP.	100μF 16V M
△ C9911	QCZ9082-102Z	C CAP.	1000pFAC250V M
△ C9912	QCZ9082-102Z	C CAP.	1000pFAC250V M
△ C9913	QCZ9082-102Z	C CAP.	1000pFAC250V M
△ C9914	QCZ9082-102Z	C CAP.	1000pFAC250V M
△ C9915	QEZO371-337	E CAP.	330μF 160V M
C9921	QFP32GJ-223Z	PP CAP.	0.022μF 400V J
C9922	QCZO131-222	C CAP.	2200pF 2kV K
C9923	QCZO131-332	C CAP.	3300pF 2kV K
C9924	QETN1VM-477Z	E CAP.	470μF 35V M
C9925	QFLC1HJ-471Z	M CAP.	470pF 50V J
C9930	QFLC1HJ-222Z	M CAP.	2200pF 50V J
C9941	QCZO115-561Z	C CAP.	560pF 2kV K
C9942	QEHO1HM-108	E CAP.	1000μF 50V M
C9945-46	QEHR1VM-108Z	E CAP.	1000μF 35V M
C9947-48	QEHR1VM-477Z	E CAP.	470μF 35V M
C9951	QTM1EM-228	E CAP.	2200μF 25V M
C9952	NCS21HJ-471X	C CAP.	470pF 50V J
C9953	QFV71HJ-104Z	MF CAP.	0.1μF 50V J
C9954	QEHO1HM-108	E CAP.	1000μF 50V M
C9955	QCS31HJ-181Z	C CAP.	180pF 50V J
C9956	QEHO1HM-228	E CAP.	2200μF 50V M
C9961	QEHR1HM-477Z	E CAP.	470μF 50V M
C9962	NCB21HK-104X	CHI P. CAP.	0.1μF 50V K
C9963	QEZO255-128	E CAP.	1200μF 16V M
C9964	QEHR1CM-477Z	E CAP.	470μF 16V M
C9965	QEHR1HM-477Z	E CAP.	470μF 50V M
C9967	QEZO256-228	E CAP.	2200μF 10V M
C9968	QEZO256-128	E CAP.	1200μF 10V M
C9973	QEHR1HM-477Z	E CAP.	470μF 50V M
C9975	QEZO256-128	E CAP.	1200μF 10V M

△ Symbol No.	Part No.	Part Name	Description
CAPACITOR			
C9976	QEHR1CM-477Z	E CAP.	470μF 16V M
C9977	QEZ0256-228	E CAP.	2200μF 10V M
C9978	QEHR1EM-477Z	E CAP.	470μF 25V M
C9979	NCB21HK-104X	CHIP CAP.	0.1μF 50V K
△ C9981-83	QEHR1EM-107Z	E CAP.	100μF 25V M
△ C9988	QCZ9079-332	C CAP.	3300pFAC250V M
△ C9999	QCZ9079-332	C CAP.	3300pFAC250V M
TRANSFORMER			
T9201	CETS127-001	SWI TCH. TRANSF.	
T9301	QQR1014-001	DRI VE TRANSF.	
△ T9921	QOS0064-001	SWI TCH. TRANSF.	
COIL			
L9101	QQR1016-001	CHOKE COIL	
L9201-02	QQL26AK-470Z	COIL	47μH K
L9301	QQR1016-001	CHOKE COIL	
L9302	QQR1015-001	CHOKE COIL	
L9941	QQL50AK-100Z	CHOKE COIL	
L9942-43	QQL26AK-220Z	COIL	22μH K
L9961	QQR0518-001	CHOKE COIL	
L9962	QQL26AK-220Z	COIL	22μH K
L9963	QQR0518-001	CHOKE COIL	
L9964	QQL26AK-100Z	CHOKE COIL	
L9967	QQR0518-001	CHOKE COIL	
L9968	QQL50AK-100Z	CHOKE COIL	
L9969	QQL26AK-220Z	COIL	22μH K
DIODE			
△ D9001	D15XB60	SI. DIODE	
D9002	MA111-X	SI. DIODE	
D9101	YG912S6	SI. DIODE	
D9102	D1FS4-X	SI. DIODE	
D9103	MA3051-X	ZENER DIODE	
D9104	MA3110/M/-X	ZENER DIODE	
D9105	MA3062/M/-X	ZENER DIODE	
D9201	D1N60-T2	SI. DIODE	
D9202	1SS81-T5	SI. DIODE	
D9203	MA3068/M/-X	ZENER DIODE	
D9204-05	EL1Z-T3	SI. DIODE	
D9206	1SR124-400A-T2	SI. DIODE	
D9207	MA3068/M/-X	ZENER DIODE	
D9208	1N4003-T2	SI. DIODE	
D9301	S16L60	SI. DIODE	
D9302-03	D1FS4-X	SI. DIODE	
D9304-05	MA3220/M/-X	ZENER DIODE	
D9306	RG1C-LFA1	SI. DIODE	
D9307	D1FS6-X	SI. DIODE	
D9308	MA3062/M/-X	ZENER DIODE	
D9309-10	SFOR1A42-T	THYRISTOR	
D9311	MA3100/M/-X	ZENER DIODE	
D9312-14	MA111-X	SI. DIODE	
D9315	MA3030/H/-X	ZENER DIODE	
D9316-17	MA3062/M/-X	ZENER DIODE	
D9318-20	MA111-X	SI. DIODE	
D9321	SFOR1A42-T	THYRISTOR	
D9322-23	MA111-X	SI. DIODE	
D9324	MA3062/M/-X	ZENER DIODE	
D9325-26	MA111-X	SI. DIODE	
D9327	MA3062/M/-X	ZENER DIODE	
D9328-29	SLR-342MC3F	L. E. D. (GRN)	
D9330	MA111-X	SI. DIODE	
D9331	MA3100/M/-X	ZENER DIODE	
D9332	MA111-X	SI. DIODE	
D9333	MA3062/M/-X	ZENER DIODE	
D9334	MA111-X	SI. DIODE	
D9335	MA3062/M/-X	ZENER DIODE	
D9336	MA111-X	SI. DIODE	
D9337	MA3062/M/-X	ZENER DIODE	
D9339-40	MA111-X	SI. DIODE	
D9341	MA3062/M/-X	ZENER DIODE	
D9342-46	MA111-X	SI. DIODE	
D9347	SF5J42	THYRISTOR	

△ Symbol No.	Part No.	Part Name	Description
DIODE			
D9602-03	MA111-X	SI. DIODE	
D9604	MA3056/M/-X	ZENER DIODE	
D9607	MA111-X	SI. DIODE	
D9608	MA3100/M/-X	ZENER DIODE	
△ D9911	RBV-406M	BRI DGE DIODE	
△ D9912	RGP10J-5025-T3	SI. DIODE	
D9921	EG1A-T3	SI. DIODE	
D9923	RD30E/B2/-T2	ZENER DIODE	
D9924	RD5.1E/B2/-T2	ZENER DIODE	
D9925	AU01Z-T2	SI. DIODE	
D9926	MA111-X	SI. DIODE	
D9928	MA111-X	SI. DIODE	
D9929	AU01Z-T2	SI. DIODE	
D9941	FMX-22S	SI. DIODE	
D9942	RU4YX-F1	SI. DIODE	
D9943	RU3YX-LFC4	SI. DIODE	
D9944	FMX-G12S	SI. DIODE	
D9945	MA111-X	SI. DIODE	
D9946	FMX-G12S	SI. DIODE	
D9948-49	RU3YX-LFC4	SI. DIODE	
D9961-62	RK44-LFT4	SI. DIODE	
D9964	RK44-LFT4	SI. DIODE	
D9965	1N4003-T2	SI. DIODE	
D9966	MA111-X	SI. DIODE	
D9969-71	MA111-X	SI. DIODE	
D9973	MA3075/M/-X	ZENER DIODE	
D9974-76	MA111-X	SI. DIODE	
TRANSISTOR			
Q9101	2SK2196	F. E. T.	
Q9102	1RF1BC40G	F. E. T.	
Q9103	2SC2412K/QR/-X	SI. TRANSISTOR	
Q9301-02	2SK1938-01R	F. E. T.	
Q9303-05	2SB1143/S/	SI. TRANSISTOR	
Q9306	2SD1683/S/	SI. TRANSISTOR	
Q9307	2SA1037AK/QR/-X	SI. TRANSISTOR	
Q9308	2SC2412K/QR/-X	SI. TRANSISTOR	
Q9309	2SA1037AK/QR/-X	SI. TRANSISTOR	
Q9310-14	2SC2412K/QR/-X	SI. TRANSISTOR	
Q9315-16	2SA1037AK/QR/-X	SI. TRANSISTOR	
Q9317-19	2SC2412K/QR/-X	SI. TRANSISTOR	
Q9320	1RF1BC40G	F. E. T.	
Q9321-26	2SC2412K/QR/-X	SI. TRANSISTOR	
Q9328-32	2SC2412K/QR/-X	SI. TRANSISTOR	
Q9603-04	2SC2412K/QR/-X	SI. TRANSISTOR	
Q9961-62	2SC2412K/QR/-X	SI. TRANSISTOR	
Q9964	2SC2412K/QR/-X	SI. TRANSISTOR	
Q9965	DTC144EKA-X	DI GI. TRANSISTOR	
Q9968	2SC2412K/QR/-X	SI. TRANSISTOR	
Q9969	DTC144EKA-X	DI GI. TRANSISTOR	
IC			
IC9101	FA5331M	I. C. (MONO-ANA)	
IC9201	MI P0222SY	I. C. (MONO-ANA)	
IC9202	AN7812F	I. C. (MONO-ANA)	
IC9301	TA76494P	I. C. (MONO-ANA)	
IC9302	UPC358C	I. C. (MONO-ANA)	
IC9303	LM339N-MT	I. C. (MONO-ANA)	
IC9304-05	UPC358C	I. C. (MONO-ANA)	
IC9306	NJM431U-XE	I. C. (MONO-ANA)	
△ IC9921	STR-F6628/F7	I. C. (HYBRID)	
△ IC9941	SEO24N-LF12	I. C. (MONO-ANA)	
IC9961	MC33167TV	I. C. (MONO-ANA)	
IC9962	SI-8033S/F1	I. C. (HYBRID)	
IC9964	SI-8050S	I. C. (HYBRID)	
IC9965	PQ30RV21	I. C. (MONO-ANA)	
IC9966	LM2991T	I. C. (MONO-ANA)	
IC9967	AN7915F	I. C.	
OTHERS			
△ CP9941	1CP-N75-Y	I. C. PROTECT	
△ CP9942	1CP-N75-Y	I. C. PROTECT	
△ CP9944	1CP-N75-Y	I. C. PROTECT	

△ Symbol No.	Part No.	Part Name	Description
OTHERS			
△ CP9945	CEX41507	PROTECTOR	
△ CP9946	CEX41507	PROTECTOR	
△ F9911	QMFZ034-5R0Z-J1	FUSE	5.0A
△ K9101	QQR0872-001Y	FERRITE BEADS	
△ K9102-03	QQR0867-001	FERRITE CORE	
△ K9301-06	QQR0872-001Y	FERRITE BEADS	
△ K9921	CE41433-001Z	BEADS CORE	
△ K9922	QRN143J-OROX	C R	0.0Ω 1/4W J
△ K9923	CE41433-001Z	BEADS CORE	
△ K9924	CE41433-001Z	BEADS CORE	
△ K9925	CE41433-001Z	BEADS CORE	
△ K9926	CE41433-001Z	BEADS CORE	
△ K9941	CE41433-001Z	BEADS CORE	
△ K9942	CE41433-001Z	BEADS CORE	
△ K9943	CE41433-001Z	BEADS CORE	
△ K9944	CE41433-001Z	BEADS CORE	
△ K9945	CE41433-001Z	BEADS CORE	
△ K9946	CE41433-001Z	BEADS CORE	
△ K9961-62	QRN143J-OROX	C R	0.0Ω 1/4W J
△ K9964	QRN143J-OROX	C R	0.0Ω 1/4W J
△ LF9101	QQR0906-001	LINE FILTER	
△ RY9001	QSK028-001	RELAY	
△ RY9941	QSK0085-001	RELAY	
△ TH9301	QAD0125-471	P. THERMI STOR	
△ PC9302	TLP721F(D4-GR)	I. C. (PH. COUPLER)	
△ PC9303	TLP721F(D4-GR)	I. C. (PH. COUPLER)	
△ PC9941	TLP721F(D4-GR)	I. C. (PH. COUPLER)	

LINE FILTER P.W. BOARD ASS'Y (SPD-9102A)

△ Symbol No.	Part No.	Part Name	Description
RESI STOR			
△ R9901	QRZ9041-275	C R	2.7MΩ 1/2W K
△ R9921	QRF054K-3R3	UNF R	3.3Ω 5W K
△ R9922	QRF154K-1R0	UNF R	1.0Ω 15W K
△ R9931	QRL039J-104	OM R	100kΩ 3W J
△ R9932-33	QRE121J-6R8Y	C R	6.8Ω 1/2W J
△ R9941	QRE121J-151Y	C R	150Ω 1/2W J
△ R9942	QRE121J-331Y	C R	330Ω 1/2W J
△ R9952	NRSA02J-102X	MG R	1kΩ 1/10W J
△ R9953	NRSA02J-473X	MG R	47kΩ 1/10W J
△ R9956	NRSA02J-473X	MG R	47kΩ 1/10W J
△ R9957	NRSA02J-102X	MG R	1kΩ 1/10W J
△ R9962	NRSA02J-472X	MG R	4.7kΩ 1/10W J
△ R9963	NRSA02J-103X	MG R	10kΩ 1/10W J
△ R9964	NRSA02J-102X	MG R	1kΩ 1/10W J
△ R9966	NRSA02J-OROX	MG R	0.0Ω 1/10W J
△ R9968	NRSA02J-472X	MG R	4.7kΩ 1/10W J
△ R9969-70	NRSA02J-103X	MG R	10kΩ 1/10W J
△ R9971	NRSA02J-102X	MG R	1kΩ 1/10W J
△ R9972	NRSA02J-102X	MG R	1kΩ 1/10W J
△ R9973	NRSA02J-103X	MG R	10kΩ 1/10W J
△ R9974	NRSA02J-472X	MG R	4.7kΩ 1/10W J
△ R9976	NRSA02J-823X	MG R	82kΩ 1/10W J
△ R9977	NRSA02J-102X	MG R	1kΩ 1/10W J
△ R9978	NRSA02J-471X	MG R	470Ω 1/10W J
△ R9979	NRSA02J-103X	MG R	10kΩ 1/10W J

CAPACI TOR

△ C9901	QFZ9040-104	MF CAP.	0.1μF AC275V M
△ C9902	QFZ9040-104	MF CAP.	0.1μF AC275V M
△ C9904	QCZ9079-102	C CAP.	1000pFAC250V M
△ C9906	QCZ9079-102	C CAP.	1000pFAC250V M
△ C9907	QFZ9040-474	MF CAP.	0.47μFAC275V M
△ C9911	QFZ9040-104	MF CAP.	0.1μF AC275V M
△ C9912	QFZ9040-104	MF CAP.	0.1μF AC275V M
△ C9914	QCZ9079-102	C CAP.	1000pFAC250V M

△ Symbol No.	Part No.	Part Name	Description
CAPACI TOR			
△ C9916	QCZ9079-102	C CAP.	1000pFAC250V M
△ C9921	QCZ9078-472	C CAP.	4700pFAC250V M
△ C9922	QCZ9078-472	C CAP.	4700pFAC250V M
△ C9923	QETM2GM-226	E CAP.	22μF 400V M
△ C9931	QFP32GJ-103	PP CAP.	0.01μF 400V J
△ C9932	NCB21EK-104X	C CAP.	0.1μF 25V K
△ C9933	QETN1EM-476Z	E CAP.	47μF 25V M
△ C9934	NCB21EK-104X	C CAP.	0.1μF 25V K
△ C9941	QETN1CM-477Z	E CAP.	470μF 16V M
△ C9961	QETN1CM-477Z	E CAP.	470μF 16V M
△ C9962	QETN1AM-107Z	E CAP.	100μF 10V M
△ C9963	QETN1HM-335Z	E CAP.	3.3μF 50V M
△ C9965	NCB21EK-104X	C CAP.	0.1μF 25V K
△ C9967	QETN1HM-474Z	E CAP.	0.47μF 50V M
△ C9968	QETN1AM-107Z	E CAP.	100μF 10V M
△ C9998	QCZ9079-332	C CAP.	3300pFAC250V M
△ C9999	QCZ9079-332	C CAP.	3300pFAC250V M

TRANSFORMER

△ T9921	QOS0044-001	SWI TCH. TRANSF.	
---------	-------------	------------------	--

COI L

△ L9941	QQL26AK-220Z	COI L	22μH K
---------	--------------	-------	--------

DI ODE

△ D9921	S1WB/A/60-4101	SI. DI ODE	
△ D9931	D1N60-T2	SI. DI ODE	
△ D9932	1SS81-T5	SI. DI ODE	
△ D9941	RGP10J-5025-T3	SI. DI ODE	
△ D9942	MA3075/M/-X	ZENER DI ODE	
△ D9943	MA3062/M/-X	ZENER DI ODE	
△ D9951	MA111-X	SI. DI ODE	
△ D9953-54	MA111-X	SI. DI ODE	
△ D9955	MA3030/H/-X	ZENER DI ODE	

TRANSI STOR

△ Q9951-52	2SC2412K/QR/-X	SI. TRANSI STOR	
△ Q9961	2SA1037AK/QR/-X	SI. TRANSI STOR	
△ Q9963-65	2SA1037AK/QR/-X	SI. TRANSI STOR	

I C

△ IC9931	MI P0221SY	I. C. (MONO-ANA)	
△ IC9961	BA05FP-X	I. C. (MONO-ANA)	
△ IC9962	TC4538BF/N/-XE	I. C. (DIGI-MOS)	

OTHERS

△ F9901	QMF0007-6R3J1	FUSE	6.3A
△ F9902	QMF0007-5R0J1	FUSE	5.0A
△ F9912	QMF51U1-R63S	FUSE	0.63A
△ FC9901	CEMG002-001Z	FUSE CLIP	
△ FC9902	CEMG002-001Z	FUSE CLIP	
△ FC9912	CEMG002-001Z	FUSE CLIP	
△ LF9901	QQR0527-004	LINE FILTER	
△ LF9902	QQR0527-004	LINE FILTER	
△ LF9903	QQR0810-001	LINE FILTER	
△ LF9911	QQR0527-005	LINE FILTER	
△ LF9912	QQR0527-005	LINE FILTER	
△ RY9951	QSK0085-001	RELAY	
△ RY9953	QSK0085-001	RELAY	
△ K9941	CE41433-001Z	BEADS CORE	
△ PC9941	TLP721F(D4-GR)	I. C. (PH. COUPLER)	
△ VA9901	ERZV10V621CS	VARI STOR	

■ SURROUND MODULE P.W. BOARD ASS'Y

(SPD-0A001A)

△ Symbol No.	Part No.	Part Name	Description
OTHER			
	SPD-0A001A	SURROUND MODULE	

■ I-P CONVERT P.W. BOARD ASS'Y

(SPD-0D001A)

△ Symbol No.	Part No.	Part Name	Description
OTHERS			
	SPD-0D001A	I-P CONVERT. PWB	

■ COMPONENT INPUT P.W. BOARD ASS'Y

(SPD-0J002A)

△ Symbol No.	Part No.	Part Name	Description
RESISTOR			
R0202	NRSA02J-750X	MG R	75Ω 1/10W J
R0204	NRSA02J-0ROX	MG R	0.0Ω 1/10W J
R0205	NRSA02J-750X	MG R	75Ω 1/10W J
R0206-07	NRSA02J-0ROX	MG R	0.0Ω 1/10W J
R0208	NRSA02J-750X	MG R	75Ω 1/10W J
R0209	NRSA02J-0ROX	MG R	0.0Ω 1/10W J
R0211	NRSA02J-750X	MG R	75Ω 1/10W J
R0213	NRSA02J-0ROX	MG R	0.0Ω 1/10W J
R0214	NRSA02J-750X	MG R	75Ω 1/10W J
R0215-16	NRSA02J-0ROX	MG R	0.0Ω 1/10W J
R0217	NRSA02J-750X	MG R	75Ω 1/10W J
R0218	NRSA02J-0ROX	MG R	0.0Ω 1/10W J
R0219	NRSA02J-121X	MG R	120Ω 1/10W J
R0220-22	NRSA02J-221X	MG R	220Ω 1/10W J
R0223	NRSA02J-121X	MG R	120Ω 1/10W J
R0224	NRSA02J-221X	MG R	220Ω 1/10W J
R0231-33	NRSA02J-222X	MG R	2.2kΩ 1/10W J
R0234	NRSA02J-272X	MG R	2.7kΩ 1/10W J
R0235	NRSA02J-221X	MG R	220Ω 1/10W J
R0236	NRSA02J-272X	MG R	2.7kΩ 1/10W J
R0237-38	NRSA02J-0ROX	MG R	0.0Ω 1/10W J
R0241	NRSA02J-0ROX	MG R	0.0Ω 1/10W J
R0242	NRSA02J-101X	MG R	100Ω 1/10W J
R0307	NRSA02J-681X	MG R	680Ω 1/10W J
R0308	NRSA02J-183X	MG R	18kΩ 1/10W J
R0309	NRSA02J-0ROX	MG R	0.0Ω 1/10W J
R0310	NRSA02J-102X	MG R	1kΩ 1/10W J
R0311	NRSA02J-471X	MG R	470Ω 1/10W J
R0312	NRSA02J-103X	MG R	10kΩ 1/10W J
R0313	NRSA02J-102X	MG R	1kΩ 1/10W J
R0314	NRSA02J-681X	MG R	680Ω 1/10W J
R0315	NRSA02J-183X	MG R	18kΩ 1/10W J
R0316	NRSA02J-0ROX	MG R	0.0Ω 1/10W J
R0317	NRSA02J-102X	MG R	1kΩ 1/10W J
R0318	NRSA02J-471X	MG R	470Ω 1/10W J
R0319	NRSA02J-123X	MG R	12kΩ 1/10W J
R0320	NRSA02J-182X	MG R	1.8kΩ 1/10W J
R0321	NRSA02J-123X	MG R	12kΩ 1/10W J
R0322	NRSA02J-680X	MG R	68Ω 1/10W J
R0323	NRSA02J-332X	MG R	3.3kΩ 1/10W J
R0324	NRSA02J-183X	MG R	18kΩ 1/10W J
R0325	NRSA02J-680X	MG R	68Ω 1/10W J
R0326	NRSA02J-332X	MG R	3.3kΩ 1/10W J
R0501-02	NRSA02J-103X	MG R	10kΩ 1/10W J
R0504-05	NRSA02J-101X	MG R	100Ω 1/10W J
R0506	NRSA02J-103X	MG R	10kΩ 1/10W J

△ Symbol No.	Part No.	Part Name	Description
RESISTOR			
R0507	NRSA02J-0ROX	MG R	0.0Ω 1/10W J
R0511	NRSA02J-0ROX	MG R	0.0Ω 1/10W J
R0524-25	NRSA02J-224X	MG R	220kΩ 1/10W J

CAPACITOR

C0201-05	QEK1C1M-476Z	E CAP.	47μF	16V	M
C0206	NCF21HZ-104X	C CAP.	0.1μF	50V	Z
C0207-08	QEK1C1M-476Z	E CAP.	47μF	16V	M
C0301	QEK1C1M-336Z	E CAP.	33μF	16V	M
C0303	QEK1C1M-336Z	E CAP.	33μF	16V	M
C0305-06	NDC21HJ-470X	C CAP.	47pF	50V	J
C0307-08	QEK1C1M-476Z	E CAP.	47μF	16V	M
C0501	NCB21CK-474X	C CAP.	0.47μF	16V	K
C0502	QEK1C1M-476Z	E CAP.	47μF	16V	M
C0503	QEK1C1M-106Z	E CAP.	10μF	16V	M
C0504	NCB21EK-563X	C CAP.	0.056μF	25V	K
C0513-14	QEK1HM-105Z	E CAP.	1μF	50V	M

DIODE

D0201-06	MA3091/M/-X	ZENER DIODE
----------	-------------	-------------

TRANSISTOR

Q0201-02	2SA1022/BC/-X	SI. TRANSISTOR
Q0301	2SA1037AK/QR/-X	SI. TRANSISTOR
Q0302	2SC2412K/QR/-X	SI. TRANSISTOR
Q0303	2SA1037AK/QR/-X	SI. TRANSISTOR
Q0304-06	2SC2412K/QR/-X	SI. TRANSISTOR

IC

IC0201	M52055FP-X	I. C. (MONO-ANA)
IC0501	BA05FP-X	I. C. (MONO-ANA)
IC0502	JLC1562BF-X	I. C. (DIGI -MOS)

OTHERS

J0002-03	CEMN045-002	PIN JACK
J0502	CEMN090-003	PIN JACK
LC0207	NQR0169-001X	EMI FILTER
LC0210	NQR0169-001X	EMI FILTER

Symbol No.	Part No.	Part Name	Description
TRANSISTOR			
Q0481-82	DTC144EKA-X	DI GI. TRANSISTOR	
Q0501	2SC2412K/QR/-X	SI. TRANSISTOR	
Q0502	2SA1037AK/QR/-X	SI. TRANSISTOR	
Q0503	2SC2412K/QR/-X	SI. TRANSISTOR	
Q0603	2SK301/P/-T	F. E. T.	
Q0604-05	2SC2412K/QR/-X	SI. TRANSISTOR	
Q0641-42	2SC2412K/QR/-X	SI. TRANSISTOR	
Q0652	DTC323TS-T	DI GI. TRANSISTOR	
Q0653	DTC144EKA-X	DI GI. TRANSISTOR	
Q0674-75	DTC144EKA-X	DI GI. TRANSISTOR	
Q0801-03	2SC2412K/QR/-X	SI. TRANSISTOR	

Symbol No.	Part No.	Part Name	Description
I C			
I C0481	TA8200AH	I. C. (MONO-ANA)	
I C0601	NJM2150AD	I. C. (MONO-ANA)	
I C0602-05	BA4558N	I. C. (MONO-ANA)	
I C0631	UPC1851BCU	I. C. (MONO-ANA)	
I C0651	TA8233BH	I. C. (HYBRID)	
I C0802	JLC1562BF-X	I. C. (DI GI -MOS)	

Symbol No.	Part No.	Part Name	Description
OTHERS			
CF0001	QAX0349-001	CERAMIC FILTER	
CN0002	QGB1505K1-35	PLUG	
CN0003	QGB1505K1-25	CONNECTOR	
FLO001	NOR0169-001X	EMI FILTER	
J0501	CEMNO36-004	PIN JACK	
TU0001	QAU0166-001	TUNER	
TU0011	QAU0166-001	TUNER	

**AV SELECTOR P.W. BOARD ASS'Y
(SPD-0R101A)**

Symbol No.	Part No.	Part Name	Description
RESISTOR			
R0201	NRSA02J-682X	MG R	6.8kΩ 1/10W J
R0202	NRSA02J-153X	MG R	15kΩ 1/10W J
R0208	NRSA02J-101X	MG R	100Ω 1/10W J
R0212	NRSA02J-222X	MG R	2.2kΩ 1/10W J
R0224	NRSA02J-223X	MG R	22kΩ 1/10W J
R0225	NRSA02J-563X	MG R	56kΩ 1/10W J
R0226	NRSA02J-221X	MG R	220Ω 1/10W J
R0227	NRSA02J-182X	MG R	1.8kΩ 1/10W J
R0228	NRSA02J-471X	MG R	470Ω 1/10W J
R0229	NRSA02J-221X	MG R	220Ω 1/10W J
R0230	NRSA02J-471X	MG R	470Ω 1/10W J
R0236	NRSA02J-333X	MG R	33kΩ 1/10W J
R0237	NRSA02J-103X	MG R	10kΩ 1/10W J
R0239	NRSA02J-471X	MG R	470Ω 1/10W J
R0242	NRSA02J-272X	MG R	2.7kΩ 1/10W J
R0243	NRSA02J-103X	MG R	10kΩ 1/10W J
R0244	NRSA02J-472X	MG R	4.7kΩ 1/10W J
R0245	NRSA02J-123X	MG R	12kΩ 1/10W J
R0246	NRSA02J-223X	MG R	22kΩ 1/10W J
R0248	NRSA02J-101X	MG R	100Ω 1/10W J
R0249	NRSA02J-102X	MG R	1kΩ 1/10W J
R0255-56	NRSA02J-0R0X	MG R	0.0Ω 1/10W J
R0257-59	NRSA02J-103X	MG R	10kΩ 1/10W J
R0261	NRSA02J-102X	MG R	1kΩ 1/10W J
R0262	NRSA02J-153X	MG R	15kΩ 1/10W J
R0263	NRSA02J-102X	MG R	1kΩ 1/10W J
R0264	NRSA02J-124X	MG R	120kΩ 1/10W J
R0265	NRSA02J-183X	MG R	18kΩ 1/10W J
R0266	NRSA02J-683X	MG R	68kΩ 1/10W J
R0267	NRSA02J-103X	MG R	10kΩ 1/10W J
R0268	NRSA02J-183X	MG R	18kΩ 1/10W J
R0269	NRSA02J-221X	MG R	220Ω 1/10W J

Symbol No.	Part No.	Part Name	Description
RESISTOR			
R0271	NRSA02J-562X	MG R	5.6kΩ 1/10W J
R0272	NRSA02J-101X	MG R	100Ω 1/10W J
R0273	NRSA02J-683X	MG R	68kΩ 1/10W J
R0274	NRSA02J-821X	MG R	820Ω 1/10W J
R0275	NRSA02J-182X	MG R	1.8kΩ 1/10W J
R0276	NRSA02J-682X	MG R	6.8kΩ 1/10W J
R0277-78	NRSA02J-101X	MG R	100Ω 1/10W J
R0279	NRSA02J-182X	MG R	1.8kΩ 1/10W J
R0312	NRSA02J-101X	MG R	100Ω 1/10W J
R0313	NRSA02J-103X	MG R	10kΩ 1/10W J
R0314	NRSA02J-561X	MG R	560Ω 1/10W J
R0315	NRSA02J-102X	MG R	1kΩ 1/10W J
R0316	NRSA02J-122X	MG R	1.2kΩ 1/10W J
R0317	NRSA02J-102X	MG R	1kΩ 1/10W J
R0319	NRSA02J-101X	MG R	100Ω 1/10W J
R0320	NRSA02J-562X	MG R	5.6kΩ 1/10W J
R0321	NRSA02J-102X	MG R	1kΩ 1/10W J
R0322	NRSA02J-152X	MG R	1.5kΩ 1/10W J
R0323	NRSA02J-223X	MG R	22kΩ 1/10W J
R0324	NRSA02J-104X	MG R	100kΩ 1/10W J
R0325	NRSA02J-562X	MG R	5.6kΩ 1/10W J
R0326	NRSA02J-101X	MG R	100Ω 1/10W J
R0327	NRSA02J-472X	MG R	4.7kΩ 1/10W J
R0328	NRSA02J-563X	MG R	56kΩ 1/10W J
R0329	NRSA02J-103X	MG R	10kΩ 1/10W J
R0337	NRSA02J-101X	MG R	100Ω 1/10W J
R0338	NRSA02J-222X	MG R	2.2kΩ 1/10W J
R0341	NRSA02J-0R0X	MG R	0.0Ω 1/10W J
R0342	NRSA02J-101X	MG R	100Ω 1/10W J
R0344-45	NRSA02J-0R0X	MG R	0.0Ω 1/10W J
R0347	NRSA02J-100X	MG R	10Ω 1/10W J
R0348	NRSA02J-222X	MG R	2.2kΩ 1/10W J
R0349	NRSA02J-0R0X	MG R	0.0Ω 1/10W J
R0364	NRSA02J-332X	MG R	3.3kΩ 1/10W J
R0365	NRSA02J-821X	MG R	820Ω 1/10W J
R0366	NRSA02J-332X	MG R	3.3kΩ 1/10W J
R0367	NRSA02J-222X	MG R	2.2kΩ 1/10W J
R0368	NRSA02J-331X	MG R	330Ω 1/10W J
R0369	NRSA02J-272X	MG R	2.7kΩ 1/10W J
R0370	NRSA02J-122X	MG R	1.2kΩ 1/10W J
R0371	NRSA02J-391X	MG R	390Ω 1/10W J
R0372	NRSA02J-153X	MG R	15kΩ 1/10W J
R0373	NRVA02D-103X	MF R	10kΩ 1/10W D
R0374	NRSA02J-152X	MG R	1.5kΩ 1/10W J
R0375	NRSA02J-153X	MG R	15kΩ 1/10W J
R0376-77	NRSA02J-101X	MG R	100Ω 1/10W J
R0378	NRSA02J-394X	MG R	390kΩ 1/10W J
R0379-80	NRSA02J-0R0X	MG R	0.0Ω 1/10W J
R0386	NRSA02J-101X	MG R	100Ω 1/10W J
R0388	NRSA02J-0R0X	MG R	0.0Ω 1/10W J
R0389	NRSA02J-182X	MG R	1.8kΩ 1/10W J
R0396	NRSA02J-101X	MG R	100Ω 1/10W J
R0398	NRSA02J-331X	MG R	330Ω 1/10W J
R0399	NRSA02J-152X	MG R	1.5kΩ 1/10W J
R0501	NRSA02J-221X	MG R	220Ω 1/10W J
R0502	NRSA02J-102X	MG R	1kΩ 1/10W J
R0503	NRSA02J-221X	MG R	220Ω 1/10W J
R0504	NRSA02J-102X	MG R	1kΩ 1/10W J
R0505-06	NRSA02J-221X	MG R	220Ω 1/10W J
R0507	NRSA02J-102X	MG R	1kΩ 1/10W J
R0508	NRSA02J-221X	MG R	220Ω 1/10W J
R0509	NRSA02J-102X	MG R	1kΩ 1/10W J
R0510-11	NRSA02J-221X	MG R	220Ω 1/10W J
R0512	NRSA02J-102X	MG R	1kΩ 1/10W J
R0513	NRSA02J-221X	MG R	220Ω 1/10W J
R0514	NRSA02J-102X	MG R	1kΩ 1/10W J
R0515	NRSA02J-221X	MG R	220Ω 1/10W J
R0517	NRSA02J-221X	MG R	220Ω 1/10W J
R0519	NRSA02J-102X	MG R	1kΩ 1/10W J
R0520	NRSA02J-102X	MG R	1kΩ 1/10W J
R0521	NRSA02J-0R0X	MG R	0.0Ω 1/10W J

△ Symbol No.	Part No.	Part Name	Description
CAPACITOR			
C0504	NCS21HJ-271X	C CAP.	270pF 50V J
C0505	QENC1CM-336Z	BP E CAP.	33μF 16V M
C0506	NCB21HK-103X	C CAP.	0.01μF 50V K
C0507	NCS21HJ-271X	C CAP.	270pF 50V J
C0508-09	NDC21HJ-101X	C CAP.	100pF 50V J
C0515	NCB21HK-103X	C CAP.	0.01μF 50V K
C0517	NCB21HK-103X	C CAP.	0.01μF 50V K
C0518-19	NCS21HJ-271X	C CAP.	270pF 50V J
C0520-23	NCF21HZ-104X	C CAP.	0.1μF 50V Z
C0529	QENC1CM-476Z	BP E CAP.	47μF 16V M
C0531	NDC21HJ-100X	C CAP.	10pF 50V J
C0540	NCB21HK-103X	C CAP.	0.01μF 50V K
C0541	QETN1CM-107Z	E CAP.	100μF 16V M
C0542	QEKK1AM-227Z	E CAP.	220μF 10V M
C0544	QETN1CM-108Z	E CAP.	1000μF 16V M
C0545	QEKK1HM-105Z	E CAP.	1μF 50V M
C0546	QETN1CM-108Z	E CAP.	1000μF 16V M
C0548	QETN1HM-105Z	E CAP.	1μF 50V M
C0550-51	QETN1HM-105Z	E CAP.	1μF 50V M
C0559-60	NCB21HK-103X	C CAP.	0.01μF 50V K
C0561	QETN1CM-227Z	E CAP.	220μF 16V M
C0562	NCF21HZ-103X	C CAP.	0.01μF 50V Z
C0566	NCB21CK-474X	C CAP.	0.47μF 16V K
C0567	QENC1EM-106Z	BP E CAP.	10μF 25V M
C0568	NCB21CK-474X	C CAP.	0.47μF 16V K
C0571	NCF21HZ-104X	C CAP.	0.1μF 50V Z
C0572	QETN1HM-106Z	E CAP.	10μF 50V M
C0573	NCB21HK-103X	C CAP.	0.01μF 50V K
C0576	QENC1EM-106Z	BP E CAP.	10μF 25V M
C0580	NCB21HK-103X	C CAP.	0.01μF 50V K
C0581	NCF21HZ-104X	C CAP.	0.1μF 50V Z
C0582	NCB21CK-474X	C CAP.	0.47μF 16V K
C0584	NCB21HK-103X	C CAP.	0.01μF 50V K
C0585	NCF21HZ-104X	C CAP.	0.1μF 50V Z
C0586	NCB21CK-474X	C CAP.	0.47μF 16V K
C0588	QETN1HM-106Z	E CAP.	10μF 50V M
C0589	NCB21HK-103X	C CAP.	0.01μF 50V K
C0591	NDC21HJ-100X	C CAP.	10pF 50V J
C0592	QETN1HM-226Z	E CAP.	22μF 50V M
C0595	NCB21HK-103X	C CAP.	0.01μF 50V K
C0596	QENC1CM-336Z	BP E CAP.	33μF 16V M
C0601	NDC21HJ-680X	C CAP.	68pF 50V J
C0602	QENC1CM-336Z	BP E CAP.	33μF 16V M
C0604	QETN1CM-336Z	E CAP.	33μF 16V M
C0605	QETN1HM-106Z	E CAP.	10μF 50V M
C0652	QETN1EM-476Z	E CAP.	47μF 25V M
C0656	NDC21HJ-151X	C CAP.	150pF 50V J
C0657	NCB21HK-102X	C CAP.	1000pF 50V K
C0658	NDC21HJ-560X	C CAP.	56pF 50V J
C0659	NCB21HK-102X	C CAP.	1000pF 50V K
C0660	NCB21HK-103X	C CAP.	0.01μF 50V K
C0662-64	NCB21HK-103X	C CAP.	0.01μF 50V K
C0665	NDC21HJ-7R0X	C CAP.	7.0pF 50V J
C0681	QETN1EM-476Z	E CAP.	47μF 25V M
C0682	NCB21HK-103X	C CAP.	0.01μF 50V K
C0683	QETN1EM-476Z	E CAP.	47μF 25V M
C0684	NCB21HK-103X	C CAP.	0.01μF 50V K
C0685	QETN1EM-476Z	E CAP.	47μF 25V M
C0686	NCB21HK-103X	C CAP.	0.01μF 50V K
C0688	NCB21HK-103X	C CAP.	0.01μF 50V K
C0701	NCF21HZ-104X	C CAP.	0.1μF 50V Z
C0702-03	QETN1EM-476Z	E CAP.	47μF 25V M
C0704	NCB21HK-103X	C CAP.	0.01μF 50V K
C0751-53	NCB21HK-103X	C CAP.	0.01μF 50V K

COIL

L0301-02	NQL014K-560X	COIL	56μH
L0531	QLO1BK-820Z	COIL	82μH K
L0561	QLO1BK-221Z	COIL	220μH K
L0651-52	NQL014K-560X	COIL	56μH
L0681	QRN143J-OROX	C R	0.0Ω 1/4W J

△ Symbol No.	Part No.	Part Name	Description
DIODE			
D0201-02	MA111-X	SJ. DIODE	
D0301-02	MA111-X	SJ. DIODE	
D0501-14	MA3120/M/-X	ZENER DIODE	
D0516-17	MA3120/M/-X	ZENER DIODE	
D0541-43	MA3120/M/-X	ZENER DIODE	
D0544	MA111-X	SJ. DIODE	
D0651-52	MA111-X	SJ. DIODE	

TRANSISTOR

Q0203	2SC2412K/QR/-X	SJ. TRANSISTOR
Q0231	2SC2412K/QR/-X	SJ. TRANSISTOR
Q0232	2SA1037AK/QR/-X	SJ. TRANSISTOR
Q0233	2SC2412K/QR/-X	SJ. TRANSISTOR
Q0235	2SC2412K/QR/-X	SJ. TRANSISTOR
Q0236-37	2SA1037AK/QR/-X	SJ. TRANSISTOR
Q0238	2SC2412K/QR/-X	SJ. TRANSISTOR
Q0239	2SA1037AK/QR/-X	SJ. TRANSISTOR
Q0301-04	2SC2412K/QR/-X	SJ. TRANSISTOR
Q0307	2SC2412K/QR/-X	SJ. TRANSISTOR
Q0310	2SC2412K/QR/-X	SJ. TRANSISTOR
Q0312-13	2SC2412K/QR/-X	SJ. TRANSISTOR
Q0319	2SA1037AK/QR/-X	SJ. TRANSISTOR
Q0321	2SC2412K/QR/-X	SJ. TRANSISTOR
Q0322	2SA1037AK/QR/-X	SJ. TRANSISTOR
Q0326	2SA1037AK/QR/-X	SJ. TRANSISTOR
Q0531	2SC2412K/QR/-X	SJ. TRANSISTOR
Q0539-40	2SC2412K/QR/-X	SJ. TRANSISTOR
Q0541-43	2SA1309A/QR/-T	SJ. TRANSISTOR
Q0544-45	DTC363TK-X	DI G. TRANSISTOR
Q0546	DTA144TKA-X	DI G. TRANSISTOR
Q0547	2SC2412K/QR/-X	SJ. TRANSISTOR
Q0601	2SC2412K/QR/-X	SJ. TRANSISTOR
Q0605	2SA1037AK/QR/-X	SJ. TRANSISTOR
Q0606-08	2SC2412K/QR/-X	SJ. TRANSISTOR
Q0651-54	2SC2412K/QR/-X	SJ. TRANSISTOR

IC

I C0231	TC4053BF/N/-XE	I. C. (DI G. -MOS)
I C0233	LA7210	I. C. (MONO-ANA)
I C0301	CXA2019AQ	I. C. (MONO-ANA)
I C0302	AN78L09	I. C. (MONO-ANA)
I C0501	CXA1845Q	I. C. (MONO-ANA)
I C0561	LA7220	I. C. (MONO-ANA)
I C0562	LA7222	I. C. (MONO-ANA)
I C0580-81	NJM2234M-XE	I. C. (MONO-ANA)
I C0601	CE42599-001	COMB. FILTER
I C0701	JLC1562BF-X	I. C. (DI G. -MOS)
I C0702	JLC1563M-X	I. C. (DI G. -MOS)

OTHERS

CF0301	QAX0529-001	CER. RESONATOR
CN0005	QGB1505K1-35	PLUG
J0501	QMC003-C01	MINI DIN JACK
J0502	QNN0349-001	PIN JACK
K0301	QRN143J-OROX	C R
LC0301-03	NQR0169-001X	EMI FILTER
LC0501	NQR0169-001X	EMI FILTER
LC0504	NQR0169-001X	EMI FILTER
X0202	CSB503F6	CER. RESONATOR
X0301	CE41651-001Z	CRYSTAL
△ MD0006	-----	3D YC SEP. MODULE

As follow
(SHI-0Y021A)

3D YC SEP. MODULE P.W. BOARD ASS'Y (SHI-0Y021A)

This P.W. Board Ass'y is included in the above main P.W. Board Ass'y.

△ Symbol No.	Part No.	Part Name	Description
OTHERS			
△	SHI-0Y021A	3D YC SEP. MODULE	

**■ RGB PROCESS MODULE P.W. BOARD ASS'Y
(SPD-0V002A)**

△ Symbol No.	Part No.	Part Name	Description
OTHERS			
△	SPD-0V002A	RGB PROCESS MODULE	

■ SUB COLOR DEMOD. MODULE P.W. BOARD ASS'Y (SHI-0V131A)

△ Symbol No.	Part No.	Part Name	Description
OTHERS			
	SHI-0V131A	SUB COLOR DEMOD. MODULE	

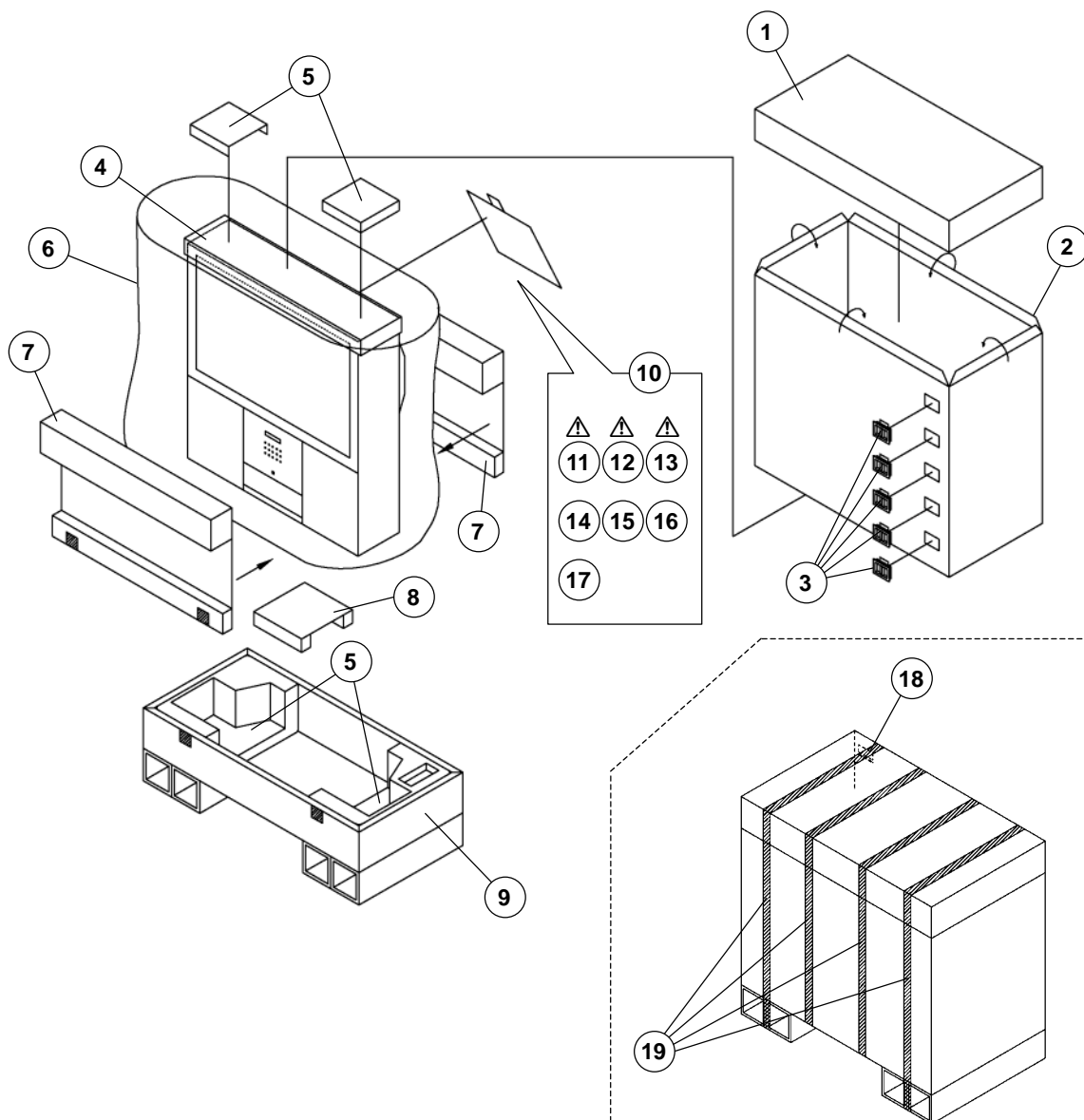
**■ REMO-CON SENSOR P.W. BOARD ASS'Y
(SXP-7301A)**

△ Symbol No.	Part No.	Part Name	Description
RESISTOR			
R7755	NRSA02J-102X	MG R	1kΩ 1/10W J
R7759	NRSA02J-OROX	MG R	0.0Ω 1/10W J
R7762	NRSA02J-OROX	MG R	0.0Ω 1/10W J
CAPACITOR			
C7712	QETN1EM-476Z	E CAP.	47μF 25V M
IC			
IC7703	GP1U28QL	IFR DETECT UNIT	

■ IGNITER P.W. BOARD ASS'Y (SXP-9201A)

△ Symbol No.	Part No.	Part Name	Description
RESISTOR			
R9501	QRL039J-822	OM R	8.2kΩ 3W J
R9502	QRL039J-562	OM R	5.6kΩ 3W J
R9504	NRSA02J-103X	MG R	10kΩ 1/10W J
R9505	NRSA02J-101X	MG R	100Ω 1/10W J
CAPACITOR			
C9501	QFZ0128-474	MPP CAP.	0.47μF 400V ±3%
C9502	NCB21HK-104X	CHIP CAP.	0.1μF 50V K
C9503	QCZ0122-222	C CAP.	2200pF 2KV K
TRANSFORMER			
△ T9501	QQR1034-001	IGNITER TRANSF.	
DIODE			
D9501-02	K1V14-F1P15	THYRISTOR	
D9503	RU4DS-F1	SI. DIODE	
D9504	MA111-X	SI. DIODE	
D9505	MA3100/M/-X	ZENER DIODE	
TRANSISTOR			
Q9501	2SC3751/KLM/	SI. TRANSISTOR	
OTHERS			
K9501-02	QQR0872-001Y	FERRITE BEADS	

PACKING



PACKING PARTS LIST

△ Ref No.	Part No.	Part Name	Description
1	LC30899-001B	TOP CASE	
2	LC10655-002A	PACKING CASE	
3	CP30903-001	JOINT ASSY	(×5)
4	CP30611-008	TOP COVER	
5	LC10654-001B	CUSHION ASSY	4pcs in 1set
6	QPA21025005	POLY BAG	
7	LC31245-001A	PROTECT PAD ASSY	(×2)
8	LC31144-001B	CENTER PAD	
9	LC30900-001B	BOTTOM CASE	
10	QPA02503505P	POLY BAG	
△ 11	LCT0942-001A	INST. BOOK	ENGLISH
△ 12	LCT0995-001A	INST. BOOK	FRENCH
△ 13	LCT0944-001A	INSTRUCT. SHEET	
14	RM-C308-1A	REMOCON UNIT	
15	BT-20071B	SVC CENTER LIST	
16	BT-51020-1Q	REGISTER CARD	
17	BT-52004-1	WARRANTY CARD	
18	LC30470-009A	POS. SERIAL LABEL	
19	CP30371-00K	BAND ASSY	(×4)

REMOTE CONTROL UNIT (RM-C308-1A)

△ Ref No.	Part No.	Part Name	Description
	UR52EC1286A	BATTERY COVER	

Memo
